

PCM 100/75 G

FIBOX
Enclosing innovations



Sample image

Order symbol : PCM 100/75 G

EAN : 6418074024480

Product nr : 6016302

El. number :

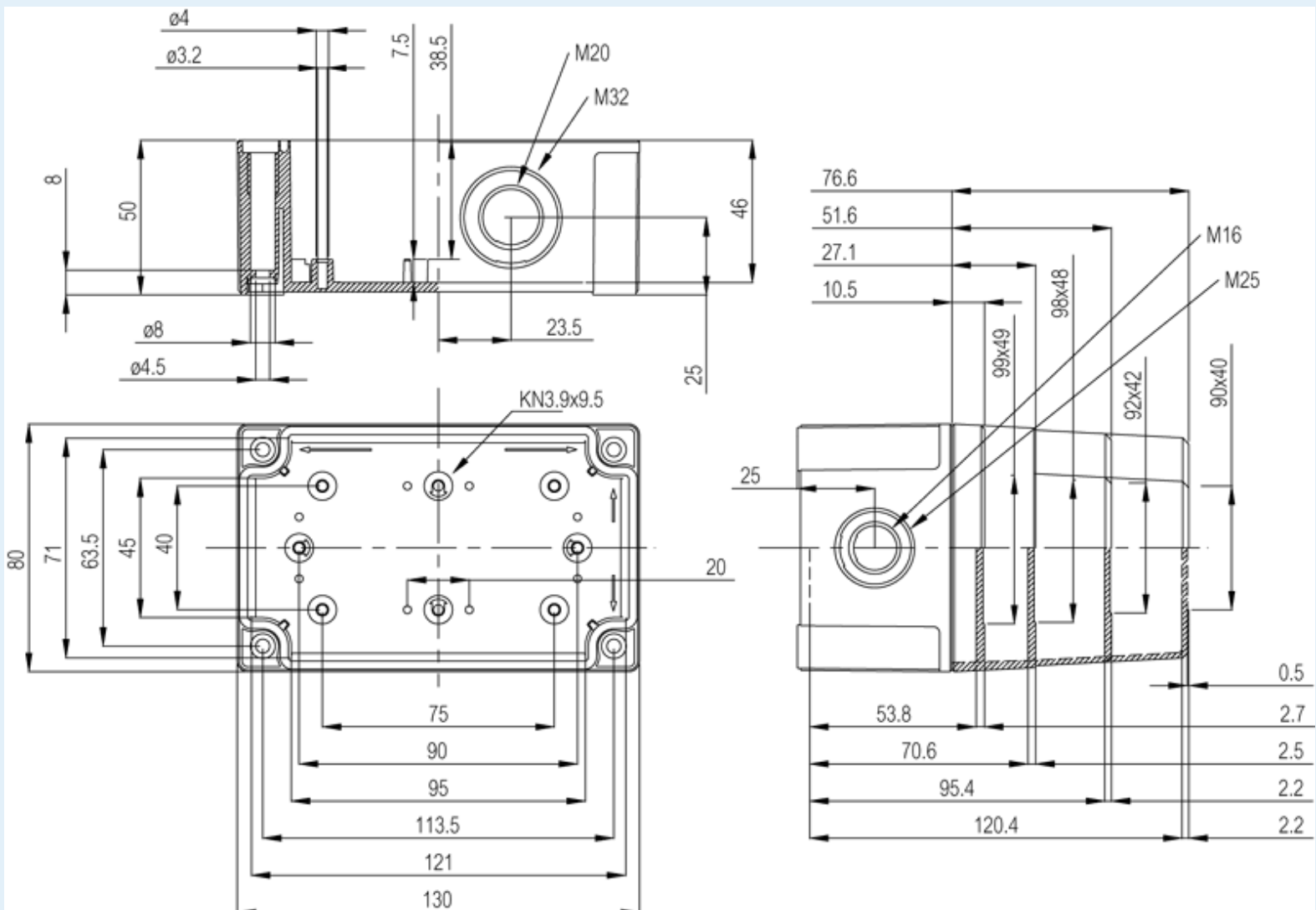
UL Name : UL PCM 100/75 G

- Finland : 3422259
- Denmark : 8212026984
- Sweden : 2535304

Description : Enclosure, PC, metric knock-outs

Remarks : Grey cover

Including : Base with TPE gasket. screws for mounting plate/DIN-rail and cover with polyamide cover screws.



| Dimensions : | Height | Width | Depth |
|---------------------|---------------|--------------|--------------|
| mm : | 130 | 80 | 75 |
| inch : | 5.12 | 3.15 | 2.95 |

Materials :

| | |
|-------------------|----------------------|
| Material : | Polycarbonate |
| Base colour : | RAL_7035 |
| Cover colour : | RAL 7035 -light grey |
| Gasket material : | Polyurethane |

Temperatures :

| | |
|-------------------------------|-------------|
| Temperature °C (continuous) : | -40 ... 80 |
| Temperature °F (continuous) : | -40 ... 175 |

Accessories :

| | |
|------------------|---|
| MIV 10 | DIN-35 Mounting rail, for enclosures: (100 x 35 x 7) |
| MIV 5 | DIN-35 Mounting rail, for enclosures: (50 x 35 x 7) |
| HFP 130 | Front plate hinge series |
| MIN 5 | DIN-15 Mounting rail, for enclosures: (50 x 15 x 1) |
| MIV 100 | Mounting plate (Galvanized steel), for enclosures: (98 x 48 x 1) |
| MIN 10 | DIN-15 Mounting rail, for enclosures: |
| FP 22046 | Wall fastening lug (4 pcs) |
| FP A 100/ 130 | Front plate (Aluminium), for enclosures: (120 x 62 x 1) |

Ratings :

| | |
|---|-------------------|
| Ingress protection (EN 60529): | IP66; IP67; |
| Impact Resistance (EN 62262): | IK08; |
| electrical_insulation : | Totally insulated |
| Halogen free (DIN/VDE 0472, Part 815) : | Yes |
| UV resistance : | UL 746C |
| Flammability Rating : | UL 94 V0 |
| Glow Wire Test (IEC 695-2-1) °C : | 960C |

Certificates :

Certificate FI 40847