

# PCM 150/125 G



Sample image

**Order symbol :** PCM 150/125 G

**Product nr :** 6016316

UL Name : UL PCM 150/125G

**Description :** Enclosure, PC, metric knock-outs

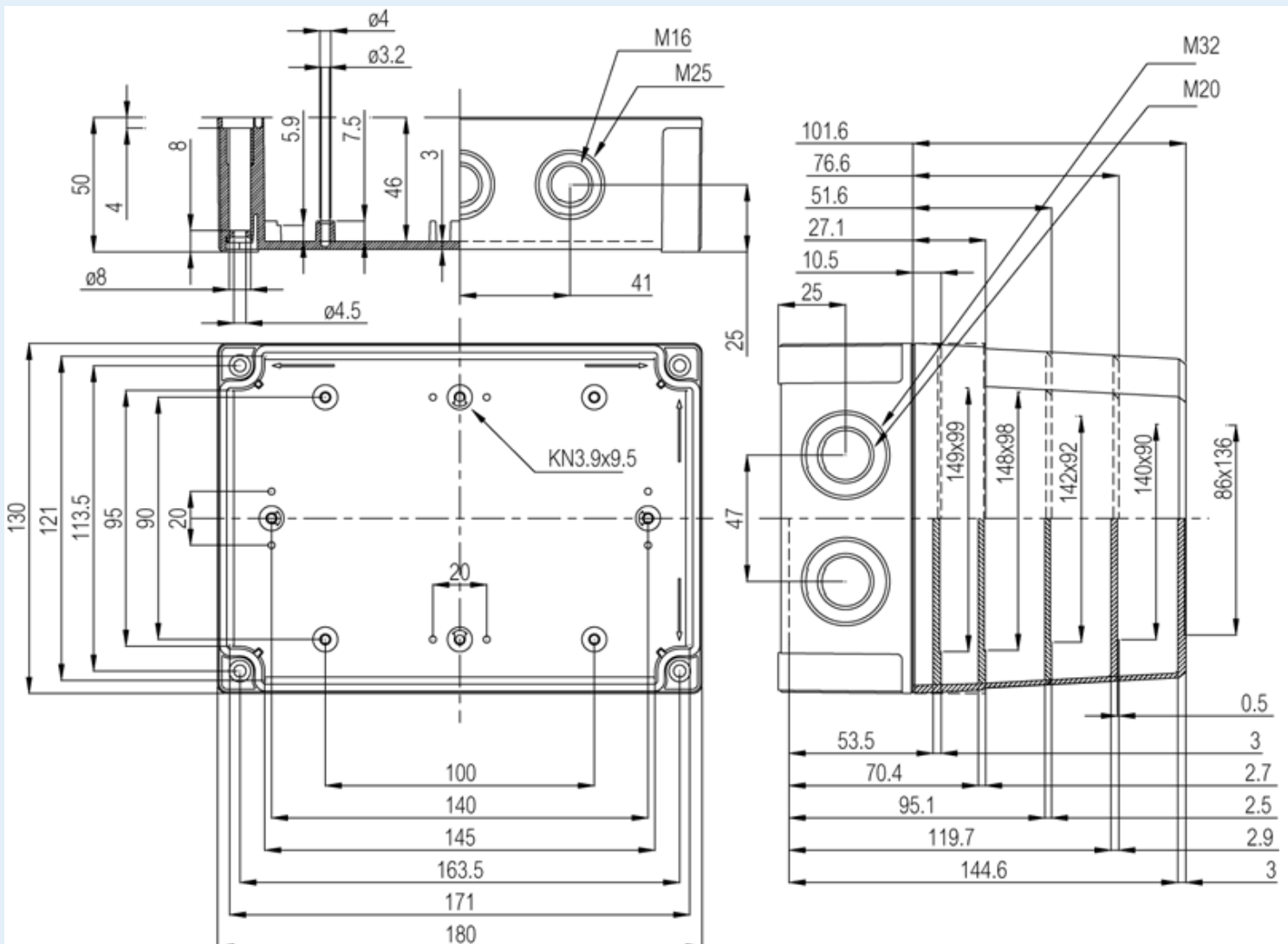
**Remarks :** Grey cover

**EAN :** 6418074038104

**El. number :**

- Finland : 3421643
- Denmark : 8212027200
- Sweden : 2535333

**Including :** Base with TPE gasket. screws for mounting plate/DIN-rail and cover with polyamide cover screws.



<b>Dimensions :</b>	<b>Height</b>	<b>Width</b>	<b>Depth</b>
mm :	180	130	125
inch :	7.09	5.12	4.92

#### **Materials :**

Material :	Polycarbonate
Base colour :	RAL_7035
Cover colour :	RAL 7035 -light grey
Gasket material :	Polyurethane

#### **Temperatures :**

Temperature °C (continuous) :	-40 ... 80
Temperature °F (continuous) :	-40 ... 175

#### **Accessories :**

MIV 10	DIN-35 Mounting rail, for enclosures: (100 x 35 x 7.5)
FP A 150/ 180	Front plate (Aluminium), for enclosures: (170 x 112 x 1)
HFP 180	Front plate hinge series
MIV 150	Mounting plate (Galvanized steel), for enclosures: (148 x 98 x 1.5)
MIN 15	DIN-15 Mounting rail, for enclosures: (150 x 15 x 1)
MIN 10	DIN-15 Mounting rail, for enclosures:
MIV 15	DIN-35 Mounting rail, for enclosures: (150 x 35 x 7.5)
FP 22046	Wall fastening lug (4 pcs) (35 x 16 x 10)

#### **Ratings :**

Ingress protection (EN 60529):	IP66; IP67;
Impact Resistance (EN 62262):	IK08;
electrical_insulation :	Totally insulated
Halogen free (DIN/VDE 0472, Part 815) :	Yes
UV resistance :	UL 746C
Flammability Rating :	UL 94 V0
Glow Wire Test (IEC 695-2-1) °C :	960C

#### **Certificates :**

Certificate FI 40847