

# PCM 175/75 G



Sample image

**Order symbol :** PCM 175/75 G

**Product nr :** 6016320

UL Name : UL PCM 175/75 G

**Description :** Enclosure, PC, metric knock-outs

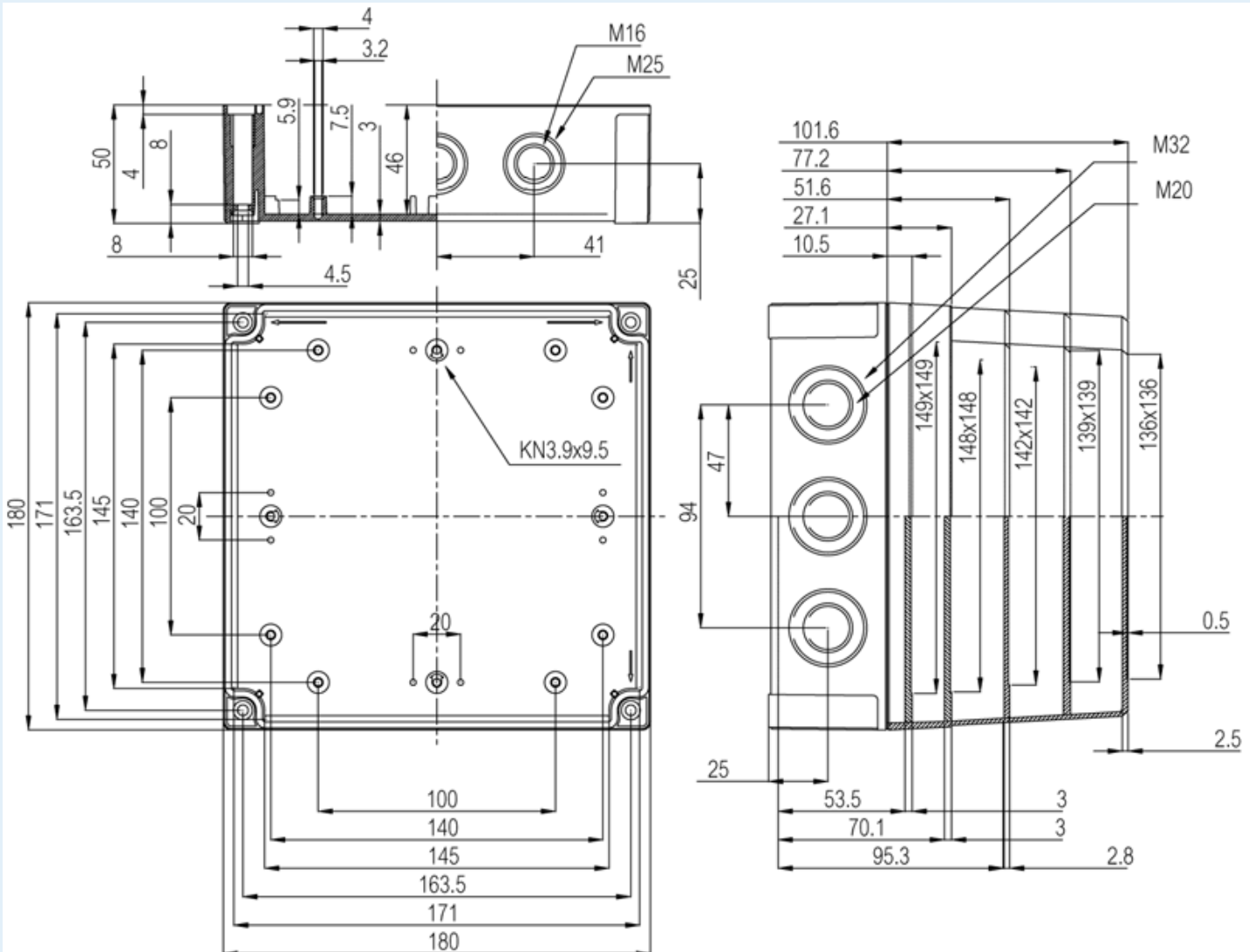
**Remarks :** Grey cover

**EAN :** 6418074024497

**El. number :**

- Finland : 3422260
- Denmark : 8212027420
- Sweden : 2535337

**Including :** Base with TPE gasket. screws for mounting plate/DIN-rail and cover with polyamide cover screws.



**Dimensions :**

	Height	Width	Depth
mm :	180	180	75
inch :	7.09	7.09	2.95

**Materials :**

Material :	Polycarbonate
Base colour :	RAL_7035
Cover colour :	RAL 7035 -light grey
Gasket material :	TPE

**Temperatures :**

Temperature °C (continuous) :	-40 ... 80
Temperature °F (continuous) :	-40 ... 175

**Accessories :**

MIV 175	Mounting plate (Galvanized steel), for enclosures: (148 x 148 x 1.5)
FP A 175/180	Front plate (Aluminium), for enclosures: (170 x 162 x 1)
HFP 180	Front plate hinge series
MIN 15	DIN-15 Mounting rail, for enclosures: (150 x 15 x 1)
MIV 15	DIN-35 Mounting rail, for enclosures: (150 x 35 x 7.5)
FP 22046	Wall fastening lug (4 pcs) (35 x 16 x 10)

**Ratings :**

Ingress protection (EN 60529):	IP66; IP67;
Impact Resistance (EN 62262):	IK08;
electrical_insulation :	Totally insulated
Halogen free (DIN/VDE 0472, Part 815) :	Yes
UV resistance :	UL 746C
Flammability Rating :	UL 94 V0
Glow Wire Test (IEC 695-2-1) °C :	960C

**Certificates :**

Certificate FI 40847