

PC B 65 T



Sample image

Order symbol : PC B 65 T

Product nr : 8724003

UL Name : UL PC B 65 T

Description : Enclosure, PC

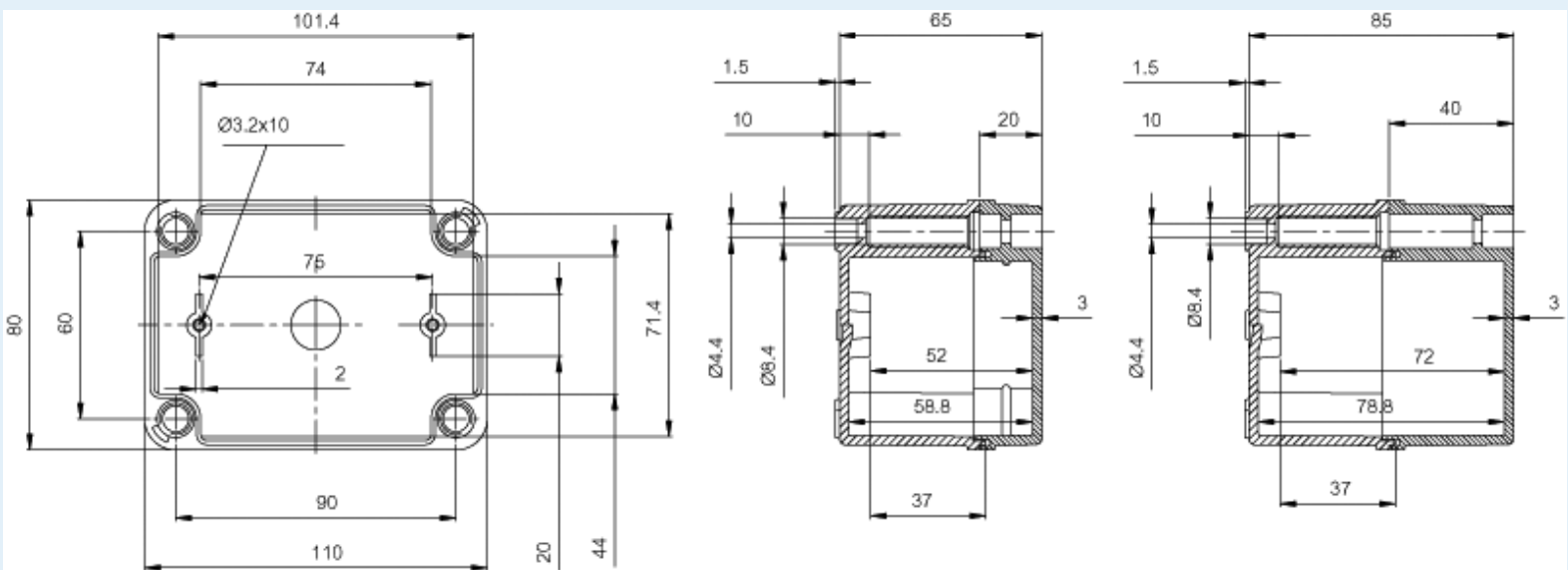
Remarks : Transparent cover

EAN : 6418074001948

El. number :

- Finland : 3423501
- Denmark : 8212001488
- Sweden : 2536832

Including : Base with screws for mounting plate/DIN-rail. cover with PUR gasket and polyamide cover screws.



Dimensions :	Height	Width	Depth
mm :	110	80	65
inch :	4.33	3.15	2.56

Materials :

Material :	Polycarbonate
Base colour :	RAL_7035
Cover colour :	Clear transparent
Gasket material :	Polyurethane

Accessories :

B-MP	Mounting plate, for enclosures: (80 x 54 x 1.5)
FP 22040	Wall fastening lug (2 pcs), for enclosures:
B-3	DIN-35 Mounting rail, for enclosures: (80 x 35 x 7.5)

Ratings :

Ingress protection (EN 60529):	IP66; IP67;
Impact Resistance (EN 62262):	IK08;
electrical_insulation :	Totally insulated

Temperatures :

Temperature °C (continuous) : -40 ... 80
Temperature °F (continuous) : -40 ... 175

Halogen free (DIN/VDE 0472, Part 815) : Yes
UV resistance : UL 746C
Flammability Rating : UL 94 V0
Glow Wire Test (IEC 695-2-1) °C : 960C

Certificates :

SGSFIMKO_PICC_pc