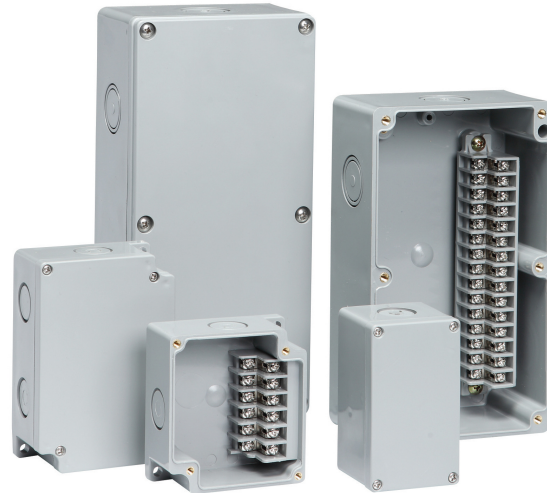


# PIN-BOX

Including: Base, cover with gasket, cover screws and terminal block (4~30pins).

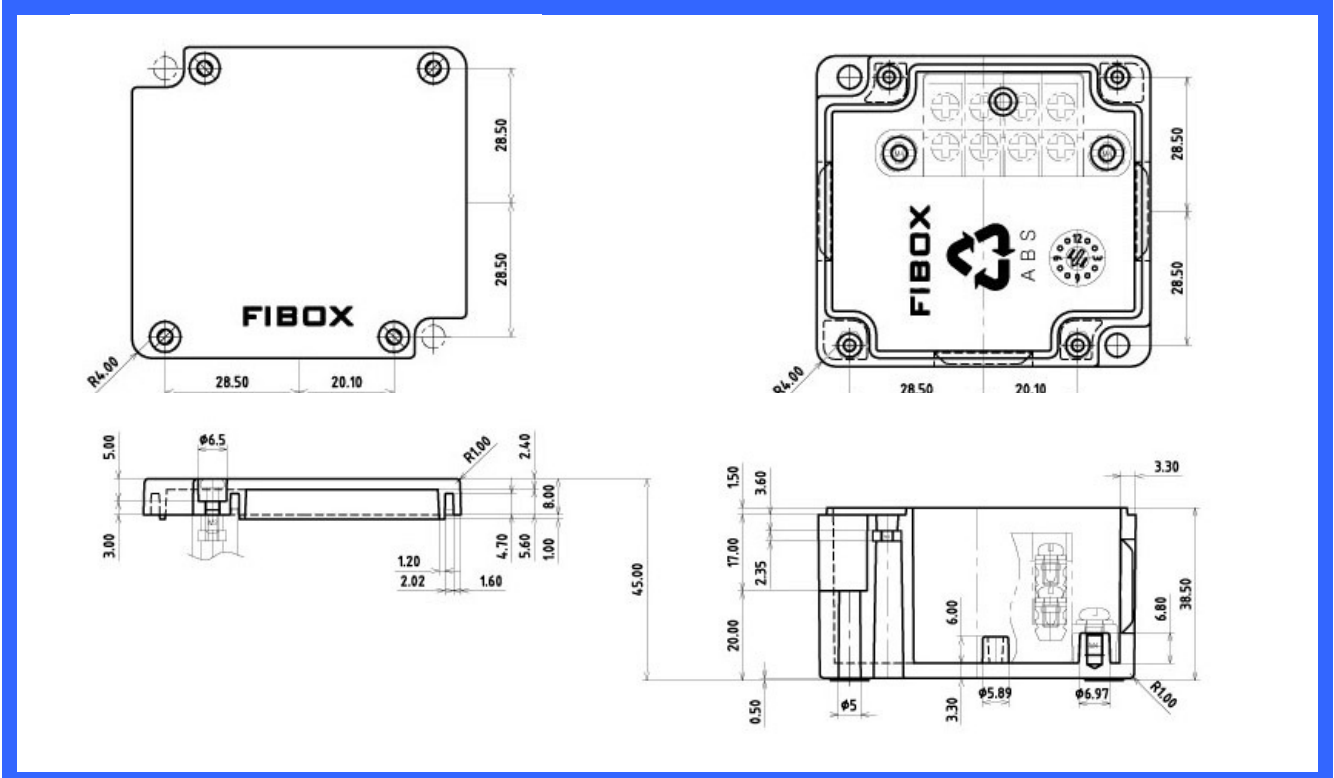


## Plastic PIN-BOX

### Enclosures

Order symbol	Code	Dimensions	Description
FI-4PIN-N	2190137	71 x 66 x 45	4pin terminal block, cover with silicon gasket
FI-6PIN-N	2190138	87 x 66 x 45	6pin terminal block, cover with silicon gasket
FI-10PIN-N	2190139	112 x 66 x 46	10pin terminal block, cover with silicon gasket
FI-15PIN-N	2190140	170 x 75 x 55	15pin terminal block, cover with silicon gasket
FI-20PIN-N	2190141	237 x 80 x 55	20pin terminal block, cover with silicon gasket
FI-30PIN-N	2190142	190 x 130 x 65	30pin terminal block, cover with silicon gasket

### FI-4PIN-N

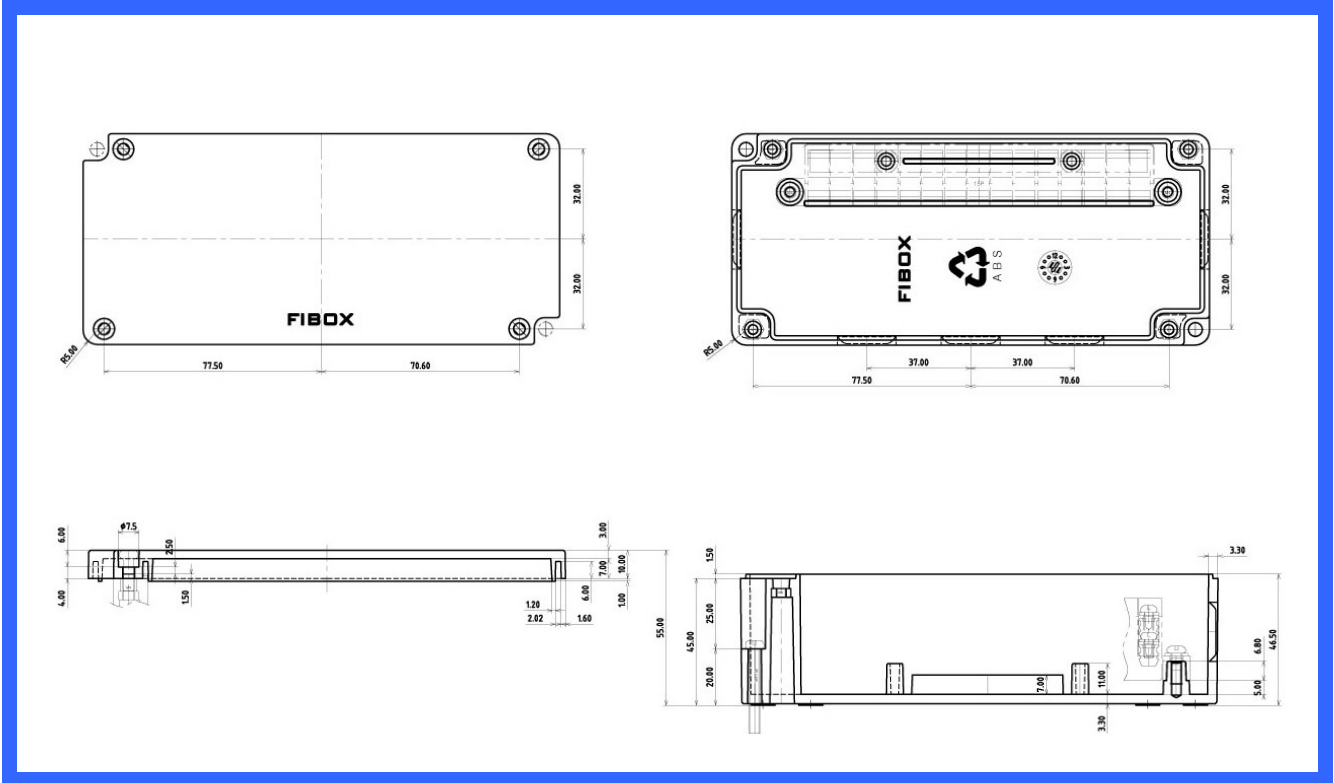




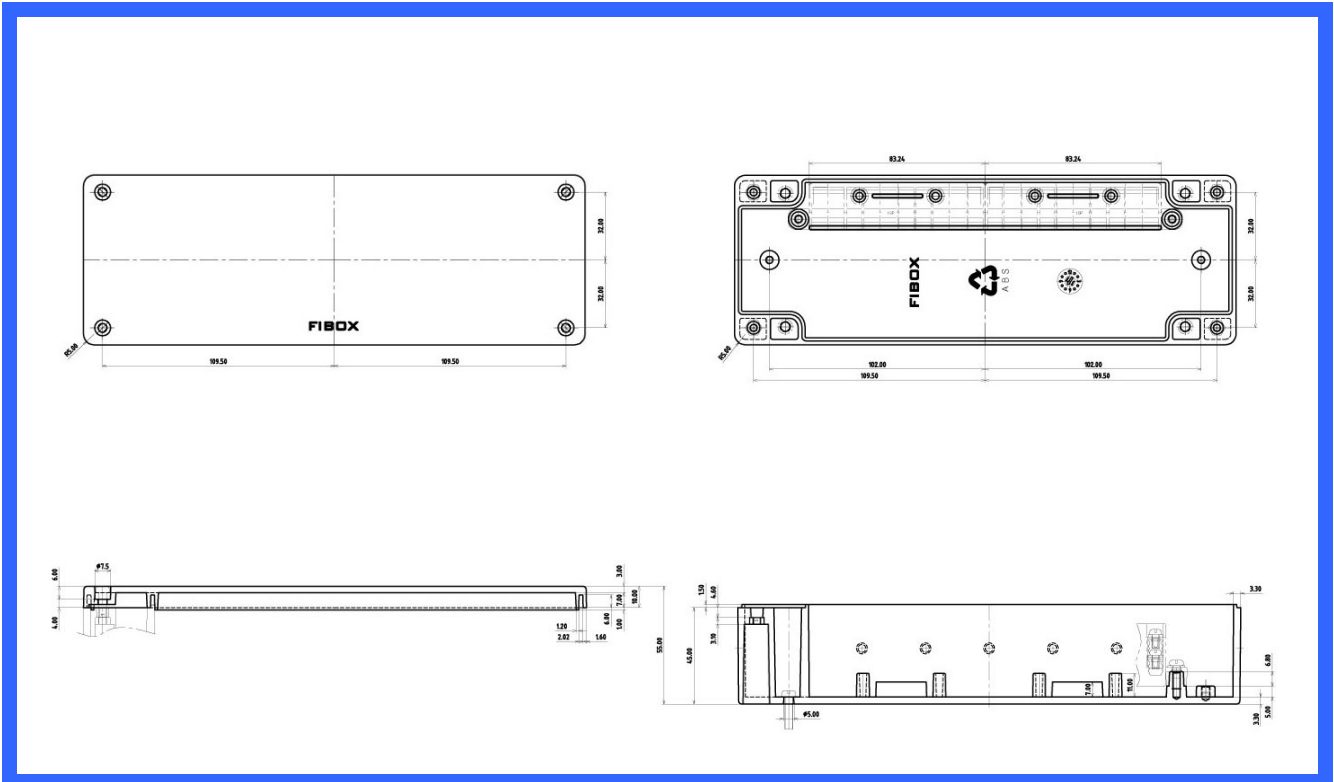
# PIN-BOX

Including: Base, cover with gasket, cover screws and terminal block (4~30pins).

## FI-15PIN-N



## FI-20PIN-N



# PIN-BOX

Including: Base, cover with gasket, cover screws and terminal block (4~30pins).

## FI-30PIN-N

