

# M5系列 斜面操作台

## M5 Series Console Desk Enclosure System



- 強韌鋼板結構，美觀耐用。
- 上蓋板可互換。
- 另備有從後門配線之機種。
- 一體結構之箱體具有極高的鋼性及保護等級。
- 安裝板材質為鍍鋅鋼板，其深度可任意調整，且二片安裝板可以背靠背安裝。
- 即使不加底座門板亦可開關自如。
- Firm steel featured of main structure, good-looking and sturdy.
- The cover plate is interchangeable.
- There are different kinds of Console Enclosure can be selected, some of them permit wiring and maintaining from the rear door.
- The body of the Enclosure is manufactured from a single piece and have a high level of stability and protection.
- Zinc-plated mounting plates are depth-adjustable and two plates can be installed back-to-back.
- The door is increased floor clearance, you can choose whether using plinth or not.



# 懸臂式操作台

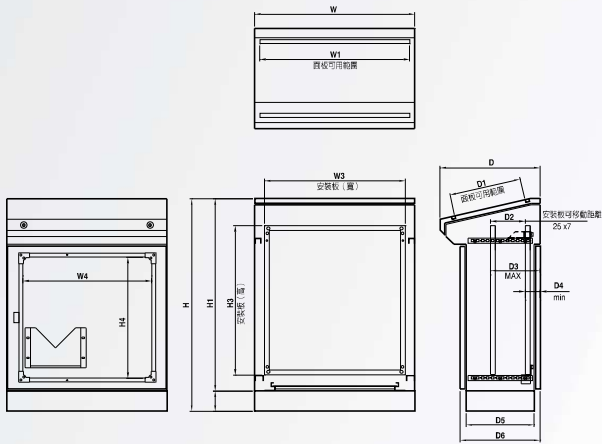
## Support Arm Systems

- 別出心裁的設計，規格多樣化，可滿足客戶之需求。
- 本件產品依客戶之訂單生產，無現貨供應。
- Excellent design with variety of specifications. Operating accurately special for each customer.
- This product will be produced and designed by the customers' order.

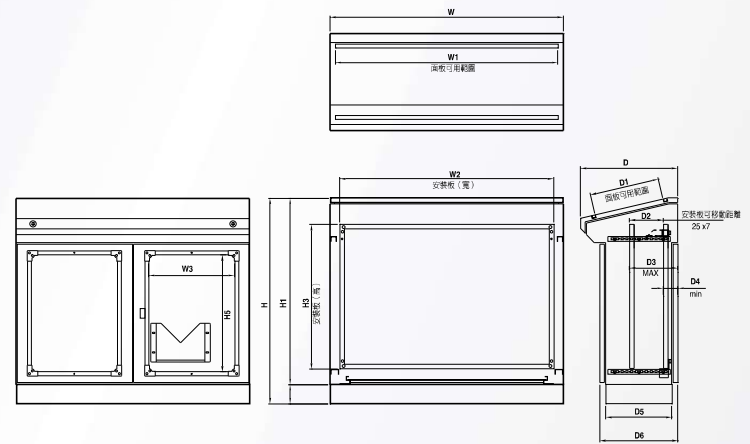
# M5系列 斜面操作台 M5 Series Console Desk Enclosure System

## 規格表

### 單門



### 雙門



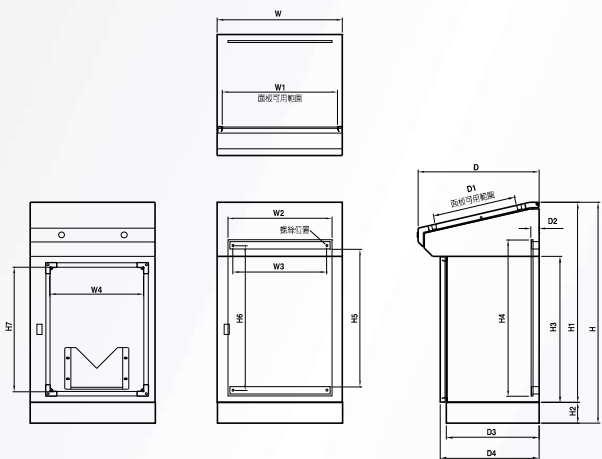
### 單門

編號	Width	W1	W2	W3	Height	H1	H2	H3	Depth	D1	D2	D3	D4	D5	D6
M5-600	600	546	503	442.5	1060	930	100	774.6	500	358	175	249.6	74.6	340	400
M5-800	800	746	703	642.5	1060	930	100	774.6	500	358	175	246.9	74.6	340	400

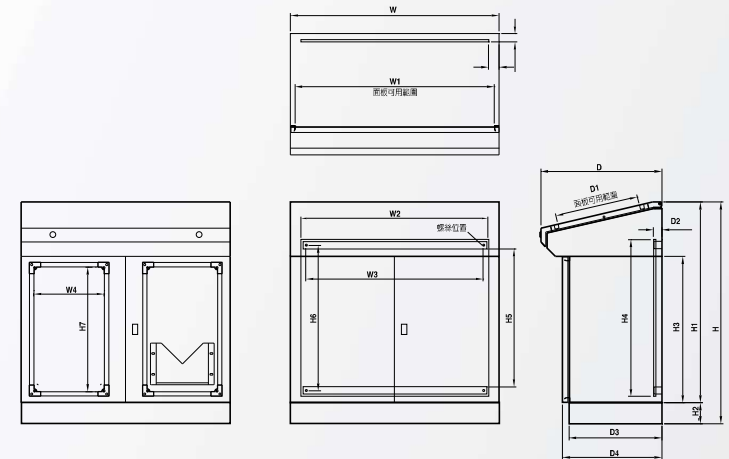
### 雙門

編號	Width	W1	W2	W3	Height	H1	H2	H3	Depth	D1	D2	D3	D4	D5	D6
M5-1000	1000	946	903	242.5	1060	930	100	774.6	500	358	175	249.6	74.6	340	400
M5-1200	1200	1146	1103	442.5	1060	930	100	774.6	500	358	175	246.9	74.6	340	400

### 單門



### 雙門



### 單門

編號	Width	W1	W2	W3	W4	Height	H1	H2	H3	H4	H5	H6	H7	Depth	D1	D2	D3	D4
M5N-600	600	554	500	450	450	1060	960	100	700	750	660	695	596.7	580	400	40	444	474
M5N-800	800	754	700	650	650	1060	960	100	700	750	660	695	596.7	580	400	40	444	474

### 雙門

編號	Width	W1	W2	W3	W4	Height	H1	H2	H3	H4	H5	H6	H7	Depth	D1	D2	D3	D4
M5N-1000	1000	954	900	850	337.8	1060	960	100	700	750	660	695	596.7	580	400	40	444	474
M5N-1200	1200	1154	1100	1050	437.8	1060	960	100	700	750	660	695	596.7	580	400	40	444	474

因不斷研究與開發，各種規格與型式會有所變動時，恕不另行通知。  
All specification, dimensions and design characteristics shown in this catalogue are subject to change without notice.