

# M4系列 琴式操作台

## M4 Series Console System

提供最佳人體工學之設計，安全舒適，給操作人員最好的作業環境

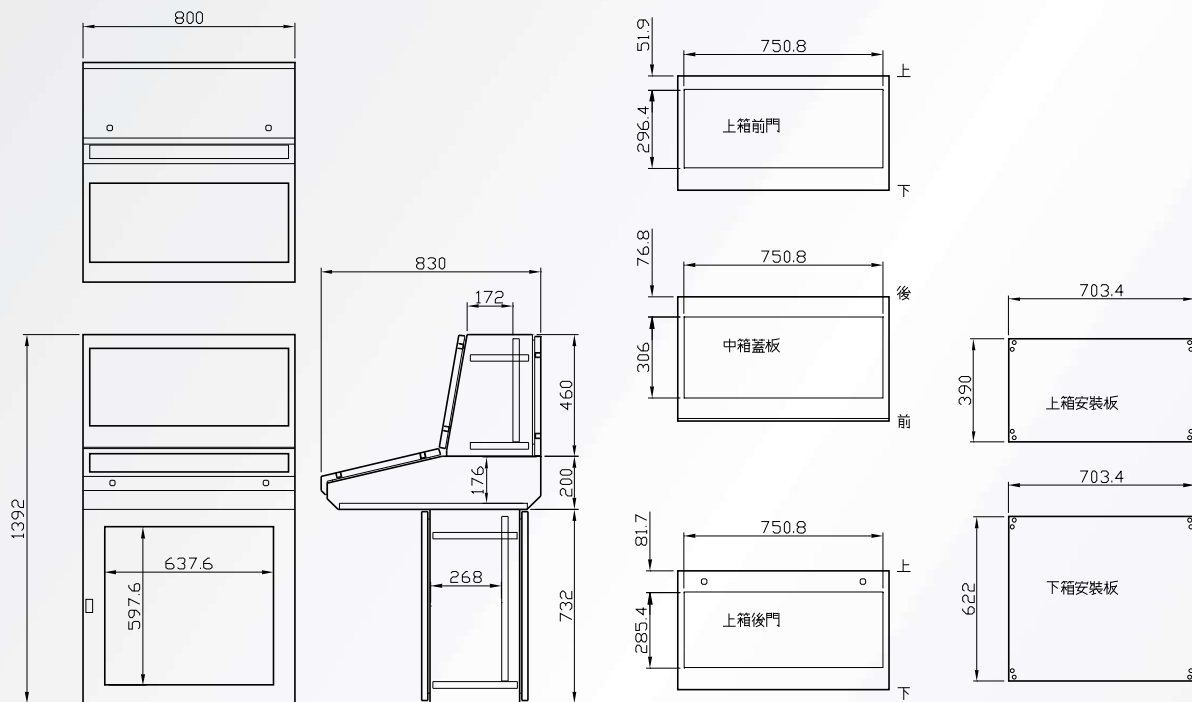
Versatility and Multi-functions are Main Points of Our M4 Series Console Systems. Perfect Main Structure Designs for Assembly, Safety and Easy Operation. It Provides the Best Environment for Versatility, Function, Aesthetics and Ergonomics as High as the Interface Between Human and Machine.



- 強韌鋼板結構，美觀耐用。
- 上蓋板可互換。
- 另備有從後門配線之機種。
- 一體結構之箱體具有極高的鋼性及保護等級。
- 安裝板材質為鍍鋅鋼板，其深度可任意調整，且二片安裝板可以背靠背安裝。
- 即使不加底座，門板亦可開關自如。
- Firm steel featured of main structure, good-looking and sturdy.
- The cover plate is interchangeable.
- There are different kinds of Console Enclosure can be selected, some of them permit wiring and maintaining from the rear door.
- The body of the Enclosure is manufactured from a single piece and have a high level of stability and protection.
- Zinc-plated mounting plates are depth-adjustable and two plates can be installed back-to-back.
- The door is increased floor clearance, you can choose whether using plinth or not.

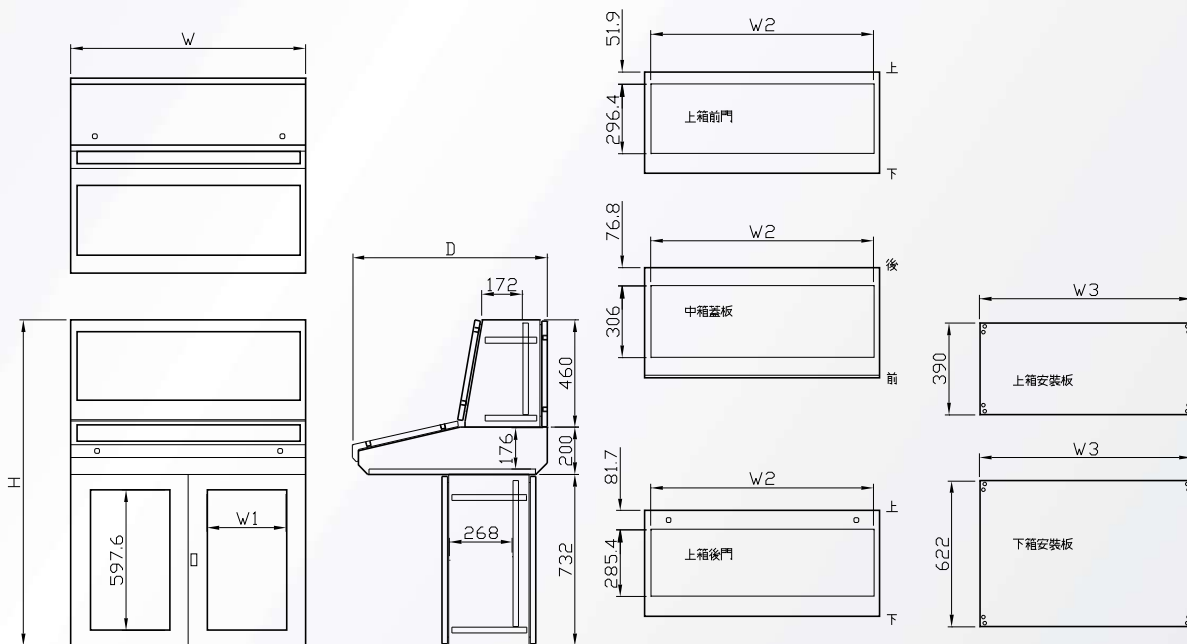
# M4系列 琴式操作台 M4 Series Console System

## 規格表



### 單門

編號	Width	W1	W2	W3	Height	H1	H2	H3	H4	H5	H6	H7	H8	H9	H10	H11	H12	H13	Depth	D1	D2	D3
M4-600	600	437.6	550.8	503.4	1392	597.6	176	460	200	732	51.9	296.4	76.8	306	81.7	285.4	390	662	830	172	268	400
M4-800	800	637.6	750.8	703.4	1392	597.6	176	460	200	732	51.9	296.4	76.8	306	81.7	285.4	390	662	830	172	268	400



### 雙門

編號	Width	W1	W2	W3	Height	H1	H2	H3	H4	H5	H6	H7	H8	H9	H10	H11	H12	H13	Depth	D1	D2	D3
M4-1000	1000	337.6	950.8	903.4	1392	597.6	176	460	200	732	51.9	296.4	76.8	306	81.7	285.4	390	662	830	172	268	400
M4-1200	1200	537.6	1150.8	1103.4	1392	597.6	176	460	200	732	51.9	296.4	76.8	306	81.7	285.4	390	662	830	172	268	400

因不斷研究與開發，各種規格與型式會有所變動時，恕不另行通知。  
All specification, dimensions and design characteristics shown in this catalogue are subject to change without notice.