

ABS C 85 G



Sample image

Order symbol : ABS C 85 G

Product nr : 8784306

Description : Enclosure, ABS

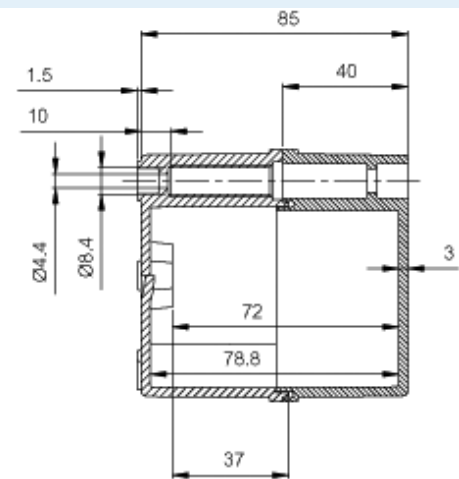
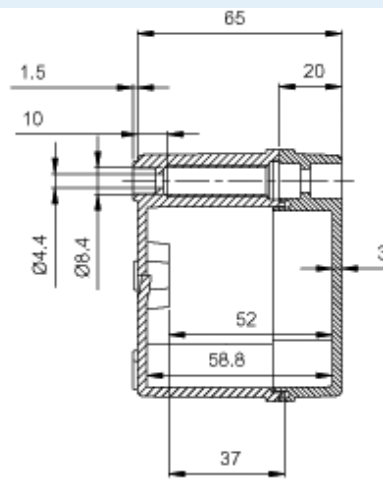
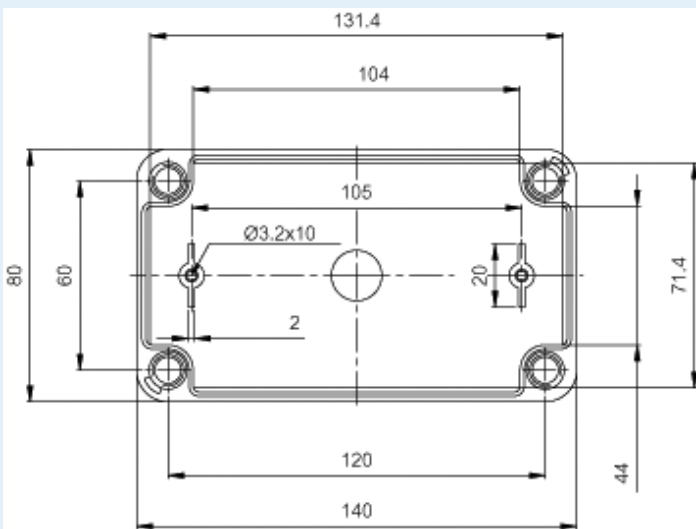
Remarks : Grey cover

EAN : 6418074002099

El. number :

- Finland : 3423457
- Denmark : 8212001860
- Sweden : 2536711

Including : Base with screws for mounting plate/DIN-rail. cover with PUR gasket and polyamide cover screws.



Dimensions :	Height	Width	Depth
mm :	140	80	85
inch :	5.51	3.15	3.35

Materials :

Material :	ABS
Base colour :	RAL_7035
Cover colour :	RAL 7035 -light grey
Gasket material :	Polyurethane

Accessories :

C-MP	Mounting plate, for enclosures: (110 x 54 x 1.5)
FP 22040	Wall fastening lug (2 pcs), for enclosures:
CHM-3	DIN-35 Mounting rail, for enclosures: (110 x 35 x 7.5)

Ratings :

Ingress protection (EN 60529):	IP66; IP67;
Impact Resistance (EN 62262):	IK08;
electrical_insulation :	Totally insulated
Halogen free (DIN/VDE 0472, Part 815) :	Yes

Temperatures :

Temperature °C (continuous) : -40 ... 60
Temperature °F (continuous) : -40 ... 140

UV resistance :

-

Flammability Rating :

UL 94 HB

Glow Wire Test (IEC 695-2-1) °C :

650C

Certificates :

SGSFIMKO_PICC_pc