

PC H 95 G



Sample image

Order symbol : PC H 95 G

Product nr : 8724315

UL Name : UL PC H 95 G

Description : Enclosure, PC

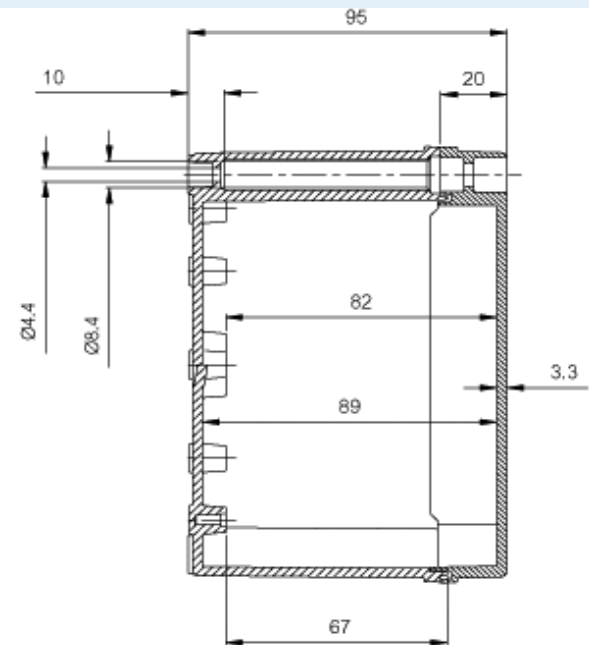
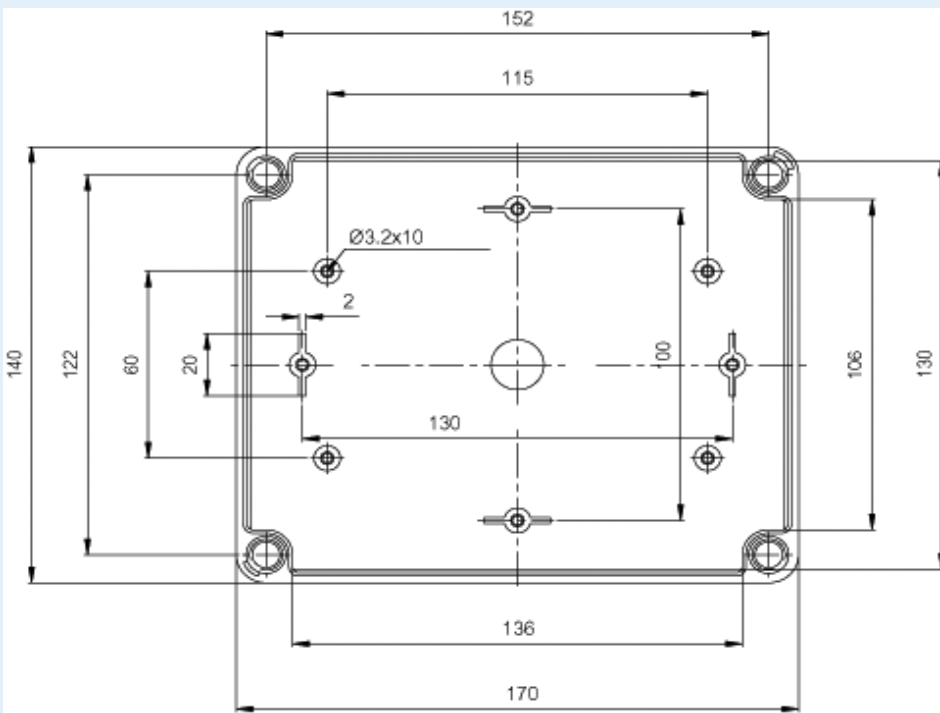
Remarks : Grey cover

EAN : 6418074002273

El. number :

- Finland : 3423417
- Denmark : 8212001653
- Sweden : 2536826

Including : Base with screws for mounting plate/DIN-rail. cover with PUR gasket and polyamide cover screws.



Dimensions :	Height	Width	Depth
mm :	170	140	95
inch :	6.69	5.51	3.74

Materials :

Material : Polycarbonate
Base colour : RAL_7035

Accessories :

- CHM-3 DIN-35 Mounting rail, for enclosures: (110 x 35 x 7.5)
- FP 22046 Wall fastening lug (4 pcs) (35 x 16 x 10)
- DH-3 DIN-35 Mounting rail, for enclosures: (140 x 35 x 7.5)
- H-MP Mounting plate, for enclosures: (125 x 94 x 1.5)

Cover colour : RAL 7035 -light grey

Gasket material : Polyurethane

Temperatures :

Temperature °C (continuous) : -40 ... 80

Temperature °F (continuous) : -40 ... 175

Ratings :

Ingress protection (EN 60529): IP66; IP67;

Impact Resistance (EN 62262): IK08;

electrical_insulation : Totally insulated

Halogen free (DIN/VDE 0472, Part 815) : Yes

UV resistance : UL 746C

Flammability Rating : UL 94 V0

Glow Wire Test (IEC 695-2-1) °C : 960C

Certificates :

SGSFIMKO_PICC_pc