

PC H 95 T



Sample image

Order symbol : PC H 95 T

Product nr : 8724015

UL Name : UL PC H 95 T

Description : Enclosure, PC

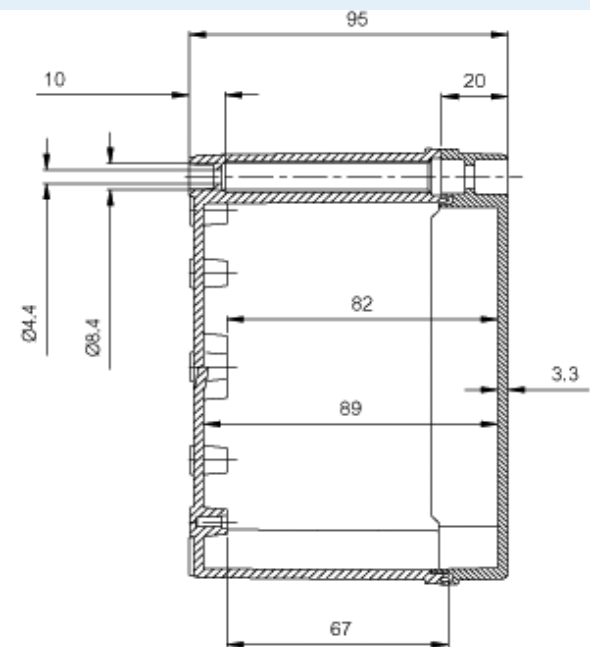
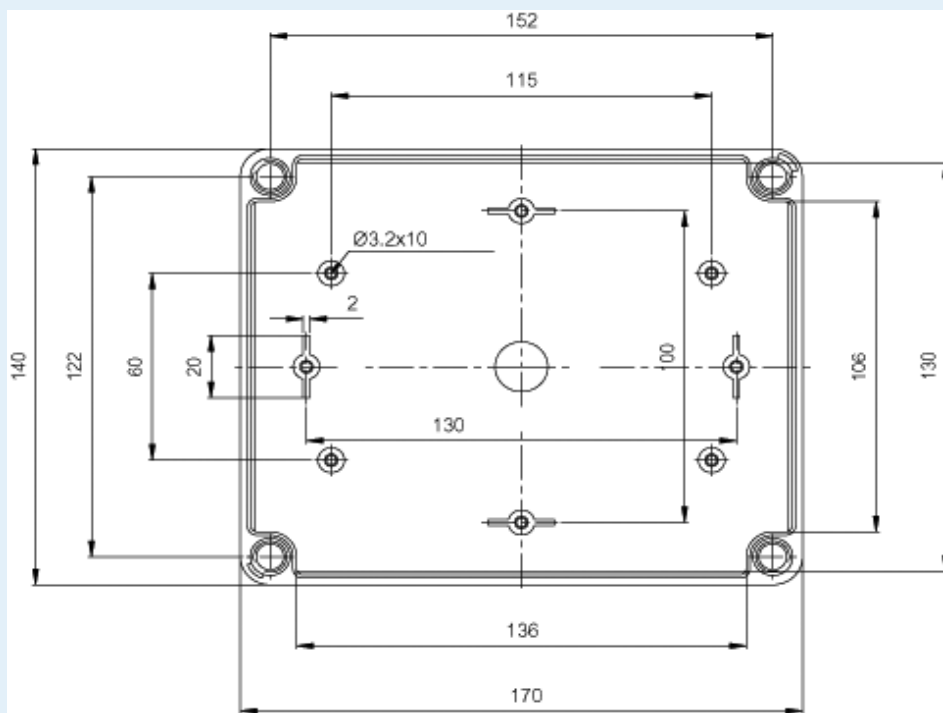
Remarks : Transparent cover

EAN : 6418074002266

El. number :

- Finland : 3423517
- Denmark : 8212001666
- Sweden : 2536856

Including : Base with screws for mounting plate/DIN-rail. cover with PUR gasket and polyamide cover screws.



| Dimensions : | Height | Width | Depth |
|---------------------|---------------|--------------|--------------|
| mm : | 170 | 140 | 95 |
| inch : | 6.69 | 5.51 | 3.74 |

Materials :

| | |
|---------------|---------------|
| Material : | Polycarbonate |
| Base colour : | RAL_7035 |

Accessories :

| | |
|----------|---|
| CHM-3 | DIN-35 Mounting rail, for enclosures: (110 x 35 x 7.5) |
| FP 22046 | Wall fastening lug (4 pcs) (35 x 16 x 10) |
| DH-3 | DIN-35 Mounting rail, for enclosures: (140 x 35 x 7.5) |
| H-MP | Mounting plate, for enclosures: (125 x 94 x 1.5) |

Cover colour : Clear transparent

Gasket material : Polyurethane

Temperatures :

Temperature °C (continuous) : -40 ... 80

Temperature °F (continuous) : -40 ... 175

Ratings :

Ingress protection (EN 60529): IP66; IP67;

Impact Resistance (EN 62262): IK08;

electrical_insulation : Totally insulated

Halogen free (DIN/VDE 0472, Part 815) : Yes

UV resistance : UL 746C

Flammability Rating : UL 94 V0

Glow Wire Test (IEC 695-2-1) °C : 960C

Certificates :

SGSFIMKO_PICC_pc