

# PC M 95 T



Sample image

**Order symbol :** PC M 95 T

**Product nr :** 8724018

UL Name : UL PC M 95 T

**Description :** Enclosure, PC

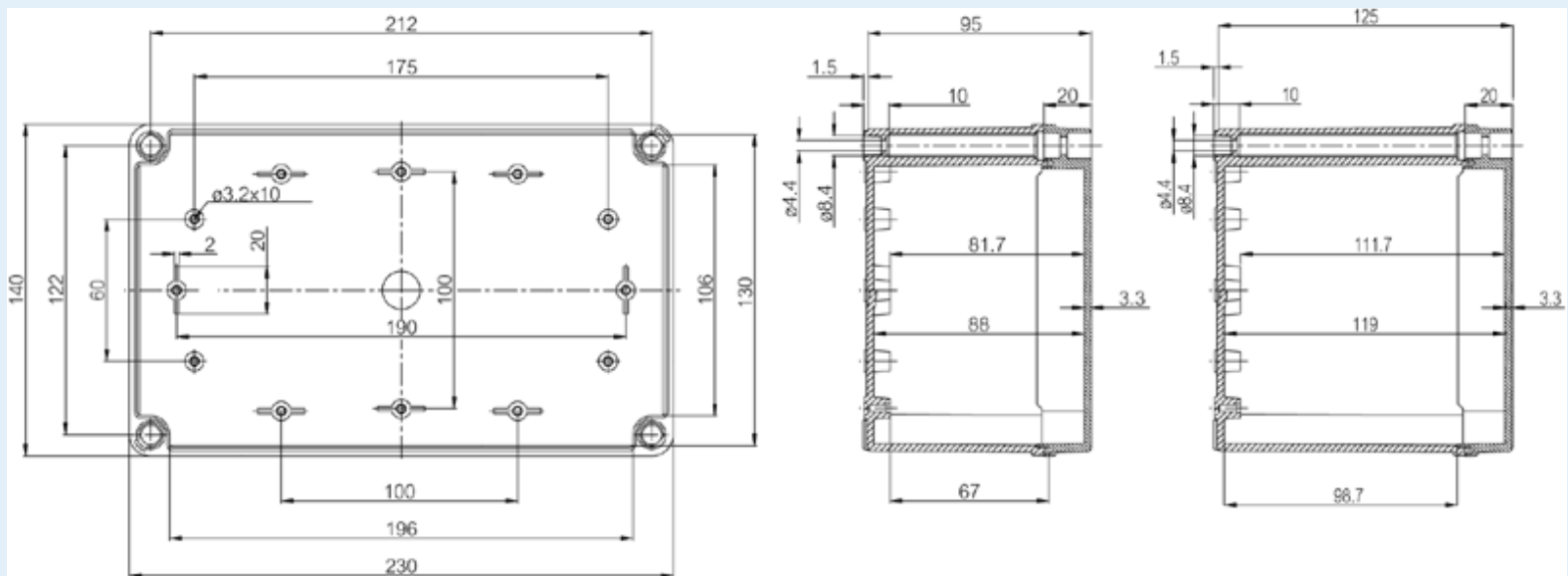
**Remarks :** Transparent cover

**EAN :** 6418074002303

**El. number :**

- Finland : 3423519
- Denmark : 8212001776
- Sweden : 2536859

**Including :** Base with screws for mounting plate/DIN-rail. cover with PUR gasket and polyamide cover screws.



<b>Dimensions :</b>	<b>Height</b>	<b>Width</b>	<b>Depth</b>
mm :	230	140	95
inch :	9.06	5.51	3.74

## **Materials :**

Material :	Polycarbonate
Base colour :	RAL_7035
Cover colour :	Clear transparent
Gasket material :	Polyurethane

## **Accessories :**

CHM-3	DIN-35 Mounting rail, for enclosures: (110 x 35 x 7.5)
FM-3	DIN-35 Mounting rail, for enclosures: (35 x 200 x 1.5)
FP 22046	Wall fastening lug (4 pcs) (35 x 16 x 10)
M-MP	Mounting plate, for enclosures: (185 x 94 x 1.5)

## **Ratings :**

Ingress protection (EN 60529):

IP66; IP67;

**Temperatures :**

Temperature °C (continuous) :	-40 ... 80
Temperature °F (continuous) :	-40 ... 175

Impact Resistance (EN 62262):	IK08;
electrical_insulation :	Totally insulated
Halogen free (DIN/VDE 0472, Part 815) :	Yes
UV resistance :	UL 746C
Flammability Rating :	UL 94 V0
Glow Wire Test (IEC 695-2-1) °C :	960C

**Certificates :**

SGSFIMKO\_PICC\_pc