

ABS M 95 T



Sample image

Order symbol : ABS M 95 T

Product nr : 8784018

Description : Enclosure, ABS

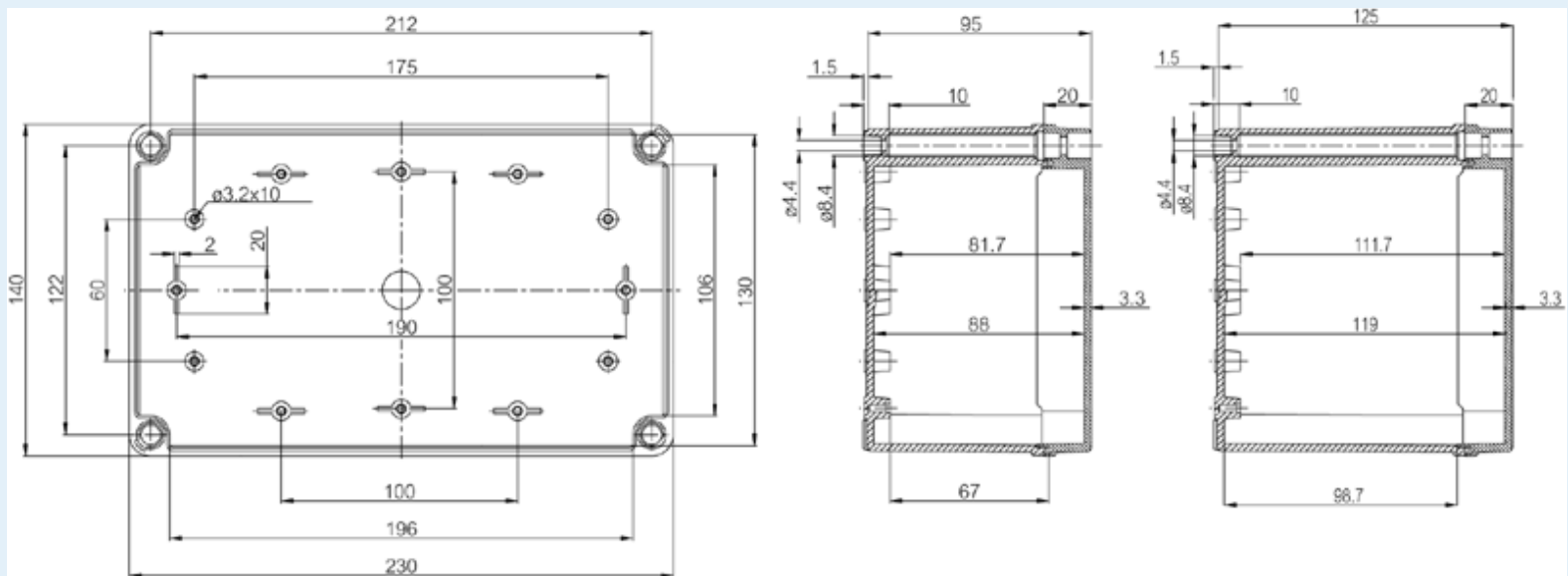
Remarks : Transparent cover

EAN : 6418074002327

El. number :

- Finland : 3423569
- Denmark : 8212002089
- Sweden : 2536759

Including : Base with screws for mounting plate/DIN-rail. cover with PUR gasket and polyamide cover screws.



Dimensions :	Height	Width	Depth
mm :	230	140	95
inch :	9.06	5.51	3.74

Materials :

Material :	ABS
Base colour :	RAL 7035 -light grey
Gasket material :	Polyurethane

Accessories :

CHM-3	DIN-35 Mounting rail, for enclosures: (110 x 35 x 7.5)
FM-3	DIN-35 Mounting rail, for enclosures: (35 x 200 x 1.5)
FP 22046	Wall fastening lug (4 pcs) (35 x 16 x 10)
M-MP	Mounting plate, for enclosures: (185 x 94 x 1.5)

Ratings :

Ingress protection (EN 60529):

IP66; IP67;

Temperatures :

Temperature °F (continuous) : -40 ... 140

Impact Resistance (EN 62262):

IK08;

electrical_insulation :

Totally insulated

Halogen free (DIN/VDE 0472, Part 815) :

Yes

UV resistance :

-

Flammability Rating :

UL 94 HB

Glow Wire Test (IEC 695-2-1) °C :

650C

Certificates :

SGSFIMKO_PICC_pc