

IO-Link master ICE11-8IOL-G60L-V1D

- 8 IO-Link ports Class A
- Multiprotocol-compatible
- M12 power connector, L-coded
- Sturdy metallic housing
- Web-based configuration
- Extended temperature range

Ethernet IO-Link module with eight IO-Link ports



Function

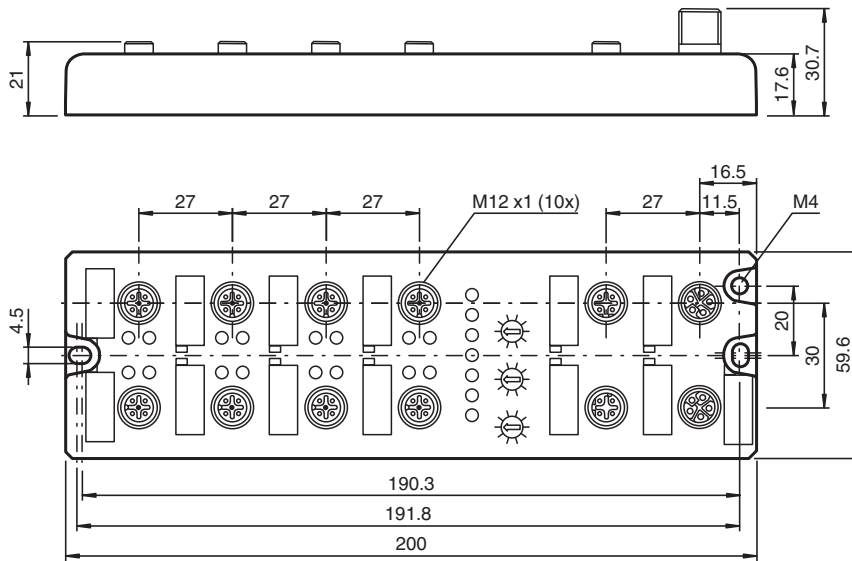
The module is a multiprotocol fieldbus module with 8 type A IO-Link master ports according to IO-Link standard V1.1.3. The G60L design in fully cast metal housing is resistant to mechanical damage and environmental influences. The G60L has protection class IP65/IP67.

The fieldbus module serves as an interface between the controller of a fieldbus system and the field level. Thanks to its multiprotocol capability, the fieldbus module supports the Ethernet communication protocols PROFINET, EtherNet/IP, EtherCAT, CC-Link and Modbus TCP.

An L-coded M12 connector plug used for supplying power enables a current rating of up to 2 x 16 A. The inputs and outputs are equipped with A-coded M12 connector plugs. Connection to the fieldbus is achieved using a D-coded M12 connector plug.

The communication protocols are configured either manually via a rotary switch or automatically. The diagnostics display status information for each channel via LEDs. An integrated web server enables access to the fieldbus module. Information regarding the status of the module is also displayed and network parameters such as the IP address and subnet mask can be configured.

Dimensions



Technical Data

General specifications

UL File Number	E223772
----------------	---------

Indicators/operating means

LED indication	see manual
Rotary switch	Setting the fieldbus protocol

Electrical specifications

Rated operating voltage	U_e	20 ... 30 V
Nominal voltage		24 V DC (SELV/PELV)
Current consumption		typ. 160 mA \pm 20 % at nominal voltage
Current loading capacity		max. 16 A per module

Interface

Interface type	Industrial Ethernet
Physical	M12, D-coded
Protocol	PROFINET IO , EtherNet/IP , EtherCAT® , CC-Link IE Field Basic , MODBUS TCP
Transfer rate	Fast Ethernet 10/100 Mbps , full duplex

Inputs/Outputs

Number/Type	8 x IO-Link Class A (X1 - X8) Configurable as: Max. 8 IO-Link and 8 digital inputs/outputs Max. 16 digital inputs/outputs short-circuit protected
Sensor supply	max. 4 A per port (X1 - X8) via L+ (pin 1)
Output current	I_e max. 500 mA per port (X1 - X8) via C/Q (Ch. A/pin 4) max. 2 A per port (X1 - X8) via DO (Ch. B/pin 2)

Directive conformity

Electromagnetic compatibility	
Directive 2014/30/EU	EN 61000-4-2, EN 61000-4-3, EN 61000-4-4, EN 61000-4-5, EN 61000-4-6, EN 55032

Standard conformity

Degree of protection	EN 60529:2000
Fieldbus standard	Type 1 according to IEC 61131-2
Shock resistance	EN 61131-2:2004

Release date: 2024-05-27 Date of issue: 2024-05-27 Filename: 70146527_eng.pdf

Refer to "General Notes Relating to Pepperl+Fuchs Product Information".

Technical Data

Approvals and certificates

UL approval

Maximum permissible operating current max. 9 A

Ambient conditions

Ambient temperature -40 ... 70 °C (-40 ... 158 °F)

Storage temperature -40 ... 70 °C (-40 ... 158 °F)

Relative humidity max. 95 %

Altitude 0 ... 2000 m

Shock and impact resistance 50 g, 11 ms, all axes

Vibration resistance 15 g at 5 - 500 Hz

Pollution degree 3

Mechanical specifications

Contact elements PA

Degree of protection IP65/IP67/IP69K

Connection Power Supply M12, L-coded
Fieldbus M12, D-coded
Inputs/Outputs M12, A-coded

Material

Contacts CuSn, gold-plated
CuNi, gold-plated

Housing Diecast zinc

Seal FKM

Mass 480 g

Tightening torque, fastening screws 1 Nm

Tightening torque, cable gland 0.5 Nm

Dimensions

Height 200 mm

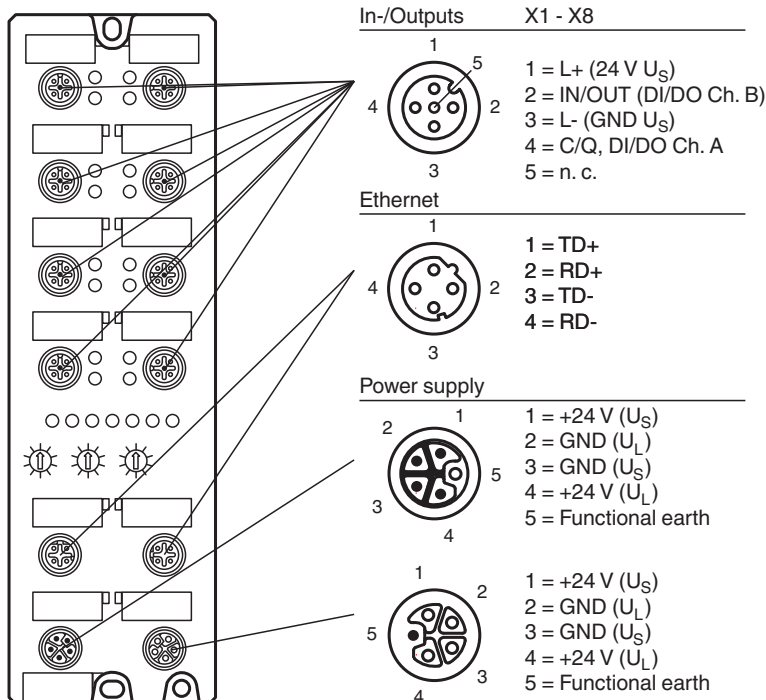
Width 59.6 mm

Length 21 mm

Construction type Field housing

Tightening torque of clamping screws 0.5 Nm

Connection



Release date: 2024-05-27 Date of issue: 2024-05-27 Filename: 70146527_eng.pdf

Refer to "General Notes Relating to Pepperl+Fuchs Product Information".

Pepperl+Fuchs Group
www.pepperl-fuchs.com

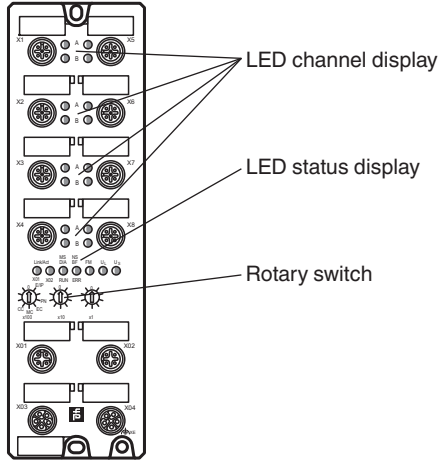
USA: +1 330 486 0001
fa-info@us.pepperl-fuchs.com

Germany: +49 621 776 1111
fa-info@de.pepperl-fuchs.com

Singapore: +65 6779 9091
fa-info@sg.pepperl-fuchs.com

PEPPERL+FUCHS

Operation



Release date: 2024-05-27 Date of issue: 2024-05-27 Filename: 70146527_eng.pdf

Refer to "General Notes Relating to Pepperl+Fuchs Product Information".

Pepperl+Fuchs Group
www.pepperl-fuchs.com

USA: +1 330 486 0001
fa-info@us.pepperl-fuchs.com

Germany: +49 621 776 1111
fa-info@de.pepperl-fuchs.com

Singapore: +65 6779 9091
fa-info@sg.pepperl-fuchs.com

 **PEPPERL+FUCHS**