

RFID read/write device

IQT1-18GM-IO-V1

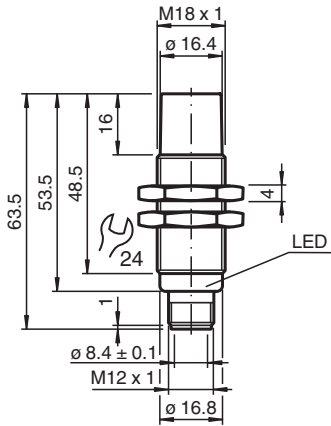


- Operating frequency 13.56 MHz
- IO-Link interface
- Conforms to ISO 15693
- Suitable for FRAM transponder
- LEDs as function indicators
- Read/write head with thread M18 x 1
- Connection via V1 (M12 x 1) plug connection
- Degree of protection IP67
- For connection to IO-Link master

HF RFID read/write device with IO-Link in accordance with ISO 15693



Dimensions



Technical Data

General specifications	
Operating frequency	13.56 MHz
Transfer rate	26 kBit/s
Sensing range	
Read distance	0 ... 50 mm
Write distance	0 ... 50 mm
Width	max. 45 mm
MTBF	140 a (Operation at +40 °C)
Indicators/operating means	
LED red/green	Green: power on Flashing green: IO-Link communication Flashing red/green: IO-Link communication interrupted
LED blue/yellow	Blue: Write/read attempt performed Yellow: Read/write tag detected
Electrical specifications	
Rated operating voltage	U_e 20 ... 30 V DC , ripple 10 % _{SS}
No-load supply current	I_0 ≤ 70 mA (at 24 V DC)
Power consumption	P_0 ≤ 2 W
Interface	
Interface type	IO-Link

Release date: 2024-07-15 Date of issue: 2024-07-15 Filename: 299927_eng.pdf

Refer to "General Notes Relating to Pepperl+Fuchs Product Information".

Technical Data

IO-Link revision	1.1
Process data	Input 32 Byte Output 32 Byte
Vendor ID	1 (0x0001)
Device ID	4194561 (0x400101)
Data transfer rate	COM3 (230.4 kbits/s)
Min. cycle time	4 ms
SIO mode support	no
Compatible master port type	Class A Class B
Directive conformity	
Radio equipment	
Directive 2014/53/EU	EN 301489-1 EN 301489-3 EN 300330 EN 62368-1 EN 50364
RoHS	
Directive 2011/65/EU (RoHS)	IEC/EN 63000
Standard conformity	
Degree of protection	EN 60529
Communication interface	IEC 61131-9 / IO-Link V1.1.2
RFID	ISO/IEC 15693-2 ISO/IEC 15693-3 ISO/IEC 18000-3
Approvals and certificates	
UL approval	E87056 cULus Listed, Class 2 Power Source, Type 1 enclosure
FCC approval	This device complies with part 15 of the FCC rules. Operation is subject to the following two conditions: (1) This device may not cause harmful interference, and (2) This device must accept any interference received, including interference that may cause undesired operation. Caution: Changes or modifications not expressly approved by the party responsible for compliance could void the user's authority to operate the equipment.
IC approval	This device complies with Industry Canada licence-exempt RSS standard(s) and with part 15 of the FCC Rules. Operation is subject to the following two conditions: (1) this device may not cause interference, and (2) this device must accept any interference, including interference that may cause undesired operation of the device. Le présent appareil est conforme aux CNR d'Industrie Canada applicables aux appareils radio exempts de licence. L'exploitation est autorisée aux deux conditions suivantes : (1) l'appareil ne doit pas produire de brouillage, et (2) l'utilisateur de l'appareil doit accepter tout brouillage radioélectrique subi, même si le brouillage est susceptible d'en compromettre le fonctionnement.
KCC approval	R-R-PF1-IQT1-18GM-IOV1
MIC approval	approval not required
Radio approval	USA: FCC IREIQT118GMIO Canada: IC 7037A-IQT118GMIO
Ambient conditions	
Ambient temperature	-25 ... 70 °C (-13 ... 158 °F)
Storage temperature	-40 ... 85 °C (-40 ... 185 °F)
Mechanical specifications	
Degree of protection	IP67
Connection	connector M12 x 1
Material	
Housing	PBT/stainless steel
Encapsulation compound	CY 221/HY 2966
Installation	non-flush
Distance between two heads	≥ 80 mm
Mass	approx. 25 g

Release date: 2024-07-15 Date of issue: 2024-07-15 Filename: 299927_eng.pdf

Refer to "General Notes Relating to Pepperl+Fuchs Product Information".

 Pepperl+Fuchs Group
www.pepperl-fuchs.com

 USA: +1 330 486 0001
fa-info@us.pepperl-fuchs.com

 Germany: +49 621 776 1111
fa-info@de.pepperl-fuchs.com

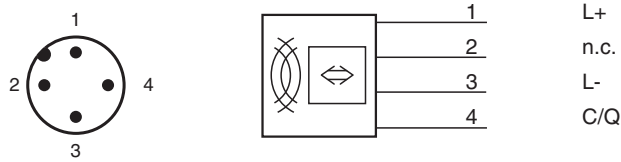
 Singapore: +65 6779 9091
fa-info@sg.pepperl-fuchs.com

 **PEPPERL+FUCHS**

Technical Data

Dimensions	
Length	63.5 mm
Diameter	18 mm

Connection



Safety Information

This equipment has been tested and found to comply with the limits for a Class A digital device, pursuant to part 15 of the FCC Rules. These limits are designed to provide reasonable protection against harmful interference when the equipment is operated in a commercial environment. This equipment generates, uses, and can radiate radio frequency energy and, if not installed and used in accordance with the instruction manual, may cause harmful interference to radio communications. Operation of this equipment in a residential area is likely to cause harmful interference in which case the user will be required to correct the interference at his own expense.

Release date: 2024-07-15 Date of issue: 2024-07-15 Filename: 299927_eng.pdf