

Plastic enclosures AX – Added durability





Enclosures

- 14 different enclosure variants, with or without viewing panel
- Symmetrical layout means the enclosure is easily rotated through 180°
- Double seal with an integral rain protection strip on the top and bottom edge of the door to protect the seal from dust and rainwater
- Fibreglass-reinforced plastic with a high level of UV resistance

Siting

- Wall mounting brackets are easily secured from the outside while retaining the UL approval
- The pole clamp may be screw-fastened directly into the external threaded inserts
- Ideally suited for outdoor applications

Mounting plate

- The mounting plate is easily screw-fastened onto the pre-assembled bolts from the front
- Simple earthing of the mounting plate, even retrospectively, using machined keyholes
- If no mounting plate is used, top hat rails may be mounted directly onto the available mounting bosses

Interior installation

- Numerous mounting bosses for individual interior installation
- Interior installation on a 25 mm pitch pattern with universal bracket for mounting punched sections and rails
- Direct door installation with support strips and punched sections with mounting flanges 14 x 39 mm, for use as an additional mounting surface
- Door-operated switches may be attached directly to the mounting bosses



Plastic enclosures AX



System accessories Page 877 Ex enclosures Page 257

Material:

- Enclosure and door: Fibreglass-reinforced unsaturated polyester
- Fire protection corresponding to UL 94 V-0
- Door: All-round foamed-in PU seal
- Mounting plate: Sheet steel

Surface finish:

- Enclosure and door: Dyed plastic with no after-treatment
- Mounting plate: Zinc-plated

Colour:

- Similar to RAL 7035

Protection class:

- II at 1000 V AC

Protection category IP to IEC 60 529:

- IP 66

Protection category NEMA:

- NEMA 4X

Supply includes:

- Enclosure with hinged door, of all-round solid construction, 3 mm double-bit lock
- Door hinged on the right, may be swapped to the left
- Mounting plate
- Twin seal on the top and bottom edges of the door as integral rain protection strip

Please note the product-specific scope of supply.

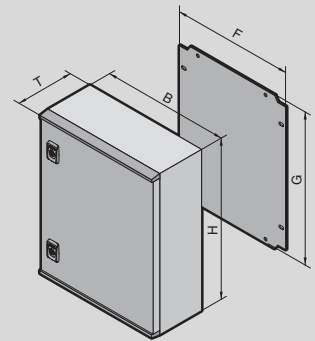
Note:

- Interior installation screws are required to secure components inside the enclosure
- Components such as punched sections with mounting flanges may be attached on a 25 mm pitch pattern using the universal bracket

Approvals:

- UL
- cUL

Further approvals can be found on the Internet.



without viewing window

Width (B) mm	Packs of	250	300	400	400	500	600	600	800	Page
Height (H) mm		350	400	400	600	500	600	800	1000	
Depth (T) mm		150	200	200	200	300	200	300	300	
Mounting plate width (F) mm		155	205	305	305	405	505	505	705	
Mounting plate height (G) mm		275	325	325	525	425	525	725	925	
Mounting plate thickness mm		2.5	2.5	2.5	3.0	3.0	3.0	3.0	3.0	
Model No.	1 pc(s).	1432.000	1434.000	1444.000	1446.000	1453.000	1466.000	1468.000	1480.000	
Weight kg		4.4	6.3	7.8	11.1	13.1	15.5	22.4	34.2	
Product-specific scope of supply										
Cam lock		1	2	2	2	2	2	2	3	
Accessories										
Wall mounting bracket	4 pc(s).	1485.400	1485.400	1485.400	1485.400	1485.400	1485.400	1485.400	1485.400	97
Pole clamp	2 pc(s).	2584.100	2584.100	2584.100	2584.100	2584.100	2584.100	2584.100	–	968
Universal bracket	4 pc(s).	1485.200	1485.200	1485.200	1485.200	1485.200	1485.200	1485.200	1485.200	97
Door stay	2 pc(s).	1485.100	1485.100	1485.100	1485.100	1485.100	1485.100	1485.100	1485.100	96
LED system light		–	–	2500.100	2500.100	2500.100	2500.100	2500.110	2500.110	1014
Mini-comfort handle AX	1 pc(s).	1485.600	1485.600	1485.600	1485.600	1485.600	1485.600	1485.600	1485.600	96
Cable gland		see page	see page	see page	see page	see page	see page	see page	see page	1056
Screw for interior installation	50 pc(s).	1485.300	1485.300	1485.300	1485.300	1485.300	1485.300	1485.300	1485.300	97
Wiring plan pocket	1 pc(s).	–	–	–	–	–	4116.500	4116.500	4116.500	95
Punched section with mounting flange 23 x 64 mm, installation in the height	4 pc(s).	–	8617.110	8617.110	8617.130	8617.120	8617.130	8617.140	8617.150	991
Punched section with mounting flange 23 x 64 mm, installation in the width		–	–	8617.110	8617.110	8617.120	8617.130	8617.130	8617.140	
Support strips, installation in the door	20 pc(s).	–	–	4594.000	4594.000	4309.000	4596.000	4596.000	4598.000	952
Punched section with mounting flange 14 x 39 mm, installation in the door	4 pc(s).	–	–	8619.700	8619.700	8619.710	8619.720	8619.720	8619.730	952



System accessories Page 877 Ex enclosures Page 257

Material:

- Enclosure and door: Fibre-glass-reinforced unsaturated polyester
- Fire protection corresponding to UL 94 V-0
- Door: All-round foamed-in PU seal
- Mounting plate: Sheet steel
- Viewing window: Polycarbonate

Surface finish:

- Enclosure and door: Dyed plastic with no after-treatment
- Mounting plate: Zinc-plated

Colour:

- Similar to RAL 7035

Protection class:

- II at 1000 V AC

Protection category IP to IEC 60 529:

- IP 56

Protection category NEMA:

- NEMA 12

Supply includes:

- Enclosure with hinged door with viewing window, of all-round solid construction, 3 mm double-bit lock
- Door hinged on the right, may be swapped to the left
- Mounting plate
- Twin seal on the top and bottom edges of the door as integral rain protection strip

Please note the product-specific scope of supply.

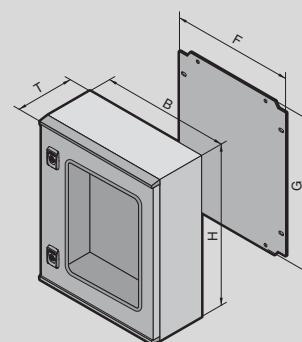
Note:

- Interior installation screws are required to secure components inside the enclosure
- Components such as punched sections with mounting flanges may be attached on a 25 mm pitch pattern using the universal bracket

Approvals:

- UL
- cUL

Further approvals can be found on the Internet.

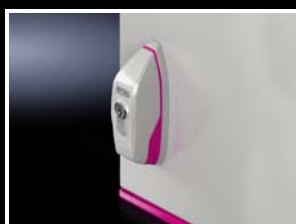


with viewing window

Width (B) mm	Packs of	400	400	500	600	600	800	Page
Height (H) mm		400	600	500	600	800	1000	
Depth (T) mm		200	200	300	200	300	300	
Mounting plate width (F) mm		305	305	405	505	505	705	
Mounting plate height (G) mm		325	525	425	525	725	925	
Mounting plate thickness mm		2.5	3.0	3.0	3.0	3.0	3.0	
Model No.	1 pc(s).	1448.000	1449.000	1454.000	1467.000	1469.000	1479.000	
Weight kg		7.7	10.9	12.9	15.2	21.9	33.2	
Product-specific scope of supply								
Cam lock		2	2	2	2	2	3	
Accessories								
Wall mounting bracket	4 pc(s).	1485.400	1485.400	1485.400	1485.400	1485.400	1485.400	97
Pole clamp	2 pc(s).	2584.100	2584.100	2584.100	2584.100	2584.100	-	968
Universal bracket	4 pc(s).	1485.200	1485.200	1485.200	1485.200	1485.200	1485.200	97
Door stay	2 pc(s).	1485.100	1485.100	1485.100	1485.100	1485.100	1485.100	96
LED system light		2500.100	2500.100	2500.100	2500.100	2500.110	2500.110	1014
Mini-comfort handle AX	1 pc(s).	1485.600	1485.600	1485.600	1485.600	1485.600	1485.600	96
Cable gland		see page	see page	see page	see page	see page	see page	1056
Screw for interior installation	50 pc(s).	1485.300	1485.300	1485.300	1485.300	1485.300	1485.300	97
Wiring plan pocket	1 pc(s).	-	-	-	4116.500	4116.500	4116.500	955
Punched section with mounting flange 23 x 64 mm, installation in the height	4 pc(s).	8617.110	8617.130	8617.120	8617.130	8617.140	8617.150	991
Punched section with mounting flange 23 x 64 mm, installation in the width		8617.110	8617.110	8617.120	8617.130	8617.130	8617.140	
Support strips, installation in the door	20 pc(s).	4594.000	4594.000	4309.000	4596.000	4596.000	4598.000	952
Punched section with mounting flange 14 x 39 mm, installation in the door	4 pc(s).	8619.700	8619.700	8619.710	8619.720	8619.720	8619.730	952

Plastic enclosures AX

Accessories



Mini-comfort handle AX

for AX plastic

The unlatched handle swivels to open the lock. Prepared for the installation of lock inserts or for the installation of standard commercially available 40 or 45 mm profile half-cylinders, as well as lock and push-button inserts.

Packs of	Model No.
1 pc(s).	1485.600
Lock inserts, type A	
7 mm square	2460.000
8 mm square	2461.000
7 mm triangular	2462.000
8 mm triangular	2463.000
Screwdriver	2464.000
Daimler insert	2465.000
3 mm double-bit	2466.000
Fiat	2307.000
6.5 mm triangular	2460.650
Lock and push-button inserts	
Lock insert, lock no. 3524 E ¹⁾	2467.000
Push-button insert	2468.000
Push-button and lock insert ¹⁾	2469.000 ²⁾
Profile half-cylinders	
To DIN 18 252 ³⁾	9785.040 ⁵⁾
	9785.042 ⁴⁾

¹⁾ With 2 keys

²⁾ Lock no. 2123; no other lock is possible

³⁾ With 3 keys for each lock insert

⁴⁾ Packs of two, simultaneous locking within the same pack, no simultaneous locking for different packs

⁵⁾ Lock-specific key



Door stay AX

for AX plastic and Ex enclosure, plastic

To secure the door in the open position. May be fitted without machining the enclosure.

Supply includes:

- Assembly parts

Installation options:

- Installation directly at the top/bottom right
- When swapping the door hinge to the opposite side, the prefitted door stay is easily removed and re-installed

Assembly	Packs of	Model No.
Top/bottom	2 pc(s).	1485.100

Plastic enclosures AX

Accessories

Wall mounting bracket

for AX plastic

For attachment to the wall, only possible from the outside of the enclosure.

Material:

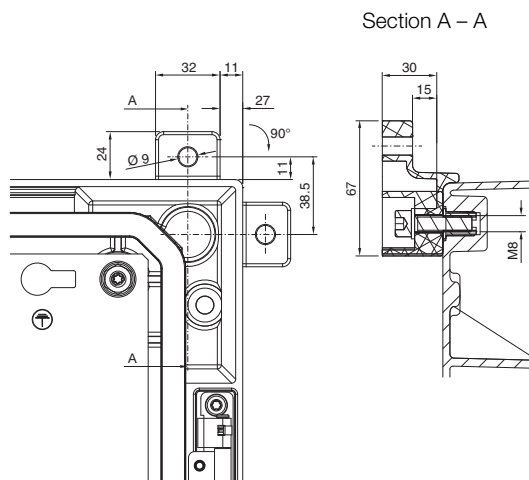
- Fibreglass-reinforced polyamide¹⁾

Supply includes:

- Assembly parts for mounting on the enclosure

Colour	Packs of	Model No.
RAL 7035	4 pc(s).	1485.400
RAL 9011	4 pc(s).	1485.500¹⁾

¹⁾ With graphite additive for Ex applications



Universal bracket

for AX plastic and Ex enclosure, plastic

For the interior installation on a 25 mm pitch pattern of

- Punched sections with mounting flanges
- Door rails
- Support strips

Material:

- Sheet steel, zinc-plated

Supply includes:

- Assembly parts

Packs of	Model No.
4 pc(s).	1485.200



Screw for interior installation

for AX plastic

For mounting accessories on the mounting bosses of the enclosure frame.

Drive: Multi-tooth 25

Dimensions: 5 x 14 mm

Type of screw	Packs of	Model No.
Pan head screw, self-tapping	50 pc(s).	1485.300

