

Ex enclosures

Ex enclosures

Stainless steel, empty enclosure with screw-fastened cover	258
Stainless steel, empty enclosure with hinged door	259
Plastic AX, empty enclosure with hinged door.....	260
Accessories	261



Ex enclosures



System accessories Page 877

Applications:

- Zone 1 and 2 or 21 and 22 to 2014/34/EU
- Ambient temperature range: -30 °C...+80 °C
- The specified temperatures may be limited by the installed equipment
- Explosion protection category to EN 60 079: Equipment protection thanks to increased safety (Ex e), equipment protection thanks to enclosure (Ex tB)

Material:

- Enclosure: Stainless steel 1.4301 (AISI 304)
- Cover: Stainless steel 1.4301 (AISI 304), all-round foamed-in silicone seal

Surface finish:

- Enclosure: Exterior brushed, grain size 400

Protection category IP to IEC 60 529:

- IP 66

Supply includes:

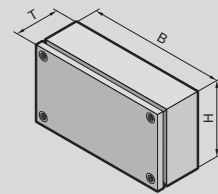
- Enclosure
- Cover

Certificates:

- PTB 03 ATEX 1013U
- IEC Ex PTB 09.0033U

Approvals:

- ATEX
- IECEx PTB



Stainless steel, empty enclosure with screw-fastened cover

Width (B) mm	Packs of	150	200	300	300	300	400	Page
Height (H) mm		150	200	150	200	300	200	
Depth (T) mm		80	80	80	80	120	120	
Model No.	1 pc(s).	9301.000	9303.000	9302.000	9304.000	9306.000	9305.000	
Weight kg		1.3	1.8	1.8	2.4	3.9	3.6	
Accessories								
Mounting plates	1 pc(s).	1560.800	1562.800	1561.800	1563.800	1567.800	1564.800	970
Wall-mounting bracket, stainless steel	4 pc(s).	1594.010	1594.010	1594.010	1594.010	1594.010	1594.010	965
Support rails TS 35/7.5	10 pc(s).	2314.000	2315.000	2316.000	2316.000	2316.000	2317.000	997
Earth straps		see page	see page	see page	see page	see page	see page	1033



System accessories Page 877

Applications:

- Zone 1 and 2 or 21 and 22 to 2014/34/EU
- Ambient temperature range: -30 °C...+80 °C
- The specified temperatures may be limited by the installed equipment
- Explosion protection category to EN 60 079: Equipment protection thanks to increased safety (Ex e), equipment protection thanks to enclosure (Ex tB)

Material:

- Enclosure: Stainless steel 1.4301 (AISI 304)
- Door: Stainless steel 1.4301 (AISI 304), all-round foamed-in silicone seal
- Mounting plate: Sheet steel

Surface finish:

- Enclosure: Brushed, grain size 400, peak-to-valley height < 0.8 µm
- Mounting plate: Zinc-plated

Protection category IP to IEC 60 529:

- IP 66

Protection category NEMA:

- NEMA 4X

Supply includes:

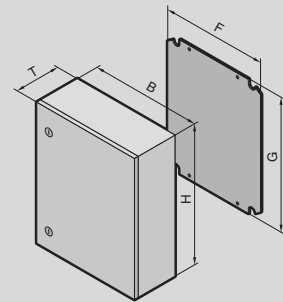
- Enclosure
- Door
- Mounting plate

Certificates:

- PTB 02 ATEX 1082U
- IEC Ex PTB 09.0035U

Approvals:

- UL
- cUL
- ATEX
- IECEx PTB



Stainless steel, empty enclosure with hinged door

Width (B) mm	Packs of	200	300	380	380	380	600	600	760	800	Page
Height (H) mm		300	380	300	380	600	600	760	760	1000	
Depth (T) mm		155	210	155	210	210	210	210	300	300	
Mounting plate width (F) mm		162	275	334	334	334	549	549	704	739	
Mounting plate height (G) mm		275	334	275	355	570	570	730	730	955	
Model No.	1 pc(s).	9401.600	9409.600	9402.600	9403.600	9404.600	9405.600	9406.600	9407.600	9408.600	
Cam lock with 3 mm double-bit insert		1	1	1	1	2	2	2	2	2	
Reinforcement section in the door		-	-	-	-	-	■	■	■	■	
Weight kg		5.0	8.1	7.8	10.1	16.9	25.2	32.5	44.1	57.8	
Accessories											
Wall mounting bracket	4 pc(s).	2433.000	2433.000	2433.000	2433.000	2433.000	2433.000	2433.000	2433.000	2433.000	261
Support rails TS 35/7.5	10 pc(s).	2315.000	2316.000	-	-	-	-	-	-	-	997
Support rails TS 35/15	10 pc(s).	-	-	-	-	-	2319.000	2319.000	-	-	997
Earth straps		see page	see page	see page	see page	see page	see page	see page	see page	see page	1033

Ex enclosures



System accessories Page 877

Applications:

- Zone 1 and 2 or 21 and 22 to 2014/34/EU
- Ambient temperature range: -30 °C...+80 °C
- The specified temperatures may be limited by the installed equipment
- Explosion protection category to EN 60 079: Equipment protection thanks to increased safety (Ex e), equipment protection thanks to enclosure (Ex tB)

Material:

- Enclosure: Fibreglass-reinforced unsaturated polyester, surface resistance: $< 10^9 \Omega$
- Door: Fibreglass-reinforced unsaturated polyester, surface resistance: $< 10^9 \Omega$ all-round foamed-in silicone seal
- Mounting plate: Sheet steel, zinc-plated, passivated

Colour:

- RAL 9011

Protection category IP to IEC 60 529:

- IP 66

Supply includes:

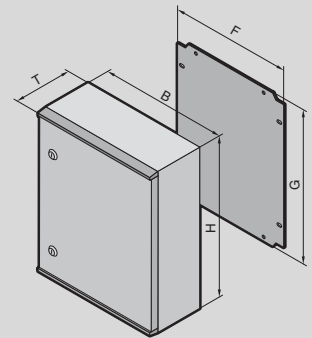
- Enclosure
- Door
- Mounting plate

Certificates:

Available on the Internet

Approvals:

- ATEX
 - IECEx PTB
- Further approvals can be found



Plastic AX, empty enclosure with hinged door

Width (B) mm	Packs of	250	300	400	400	500	600	600	800	Page
Height (H) mm		350	400	400	600	500	600	800	1000	
Depth (T) mm		150	200	200	200	300	200	300	300	
Mounting plate width (F) mm		155	205	305	305	405	505	505	705	
Mounting plate height (G) mm		275	325	325	525	425	525	725	925	
Model No.	1 pc(s).	9202.100	9203.100	9204.100	9205.100	9207.100	9206.100	9208.100	9209.100	
Cam lock with 3 mm double-bit insert		1	2	2	2	2	2	3	3	
Weight kg		4.4	6.4	7.8	11.2	13.3	15.7	22.8	34.6	

Accessories

Wall mounting bracket	4 pc(s).	1485.500	1485.500	1485.500	1485.500	1485.500	1485.500	1485.500	1485.500	261
Screw for interior installation	50 pc(s).	1485.300	1485.300	1485.300	1485.300	1485.300	1485.300	1485.300	1485.300	261
Pole clamp	2 pc(s).	2584.110	2584.110	2584.110	2584.110	2584.110	2584.110	2584.110	2584.110	968
Universal bracket	4 pc(s).	1485.200	1485.200	1485.200	1485.200	1485.200	1485.200	1485.200	1485.200	97
Door stay AX	2 pc(s).	1485.100	1485.100	1485.100	1485.100	1485.100	1485.100	1485.100	1485.100	96
LED system light		-	-	2500.100	2500.100	2500.100	2500.100	2500.110	2500.110	1014

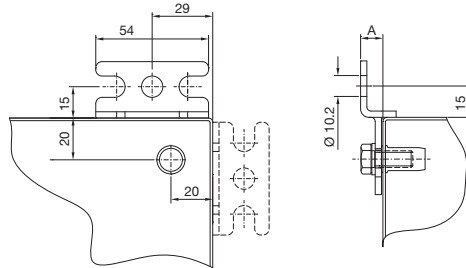
Wall mounting bracket

For the attachment of Ex empty enclosures, stainless steel.

Supply includes:

- Assembly parts for mounting on the enclosure

Material	Wall distance (A) mm	Packs of	Model No.
Stainless steel 1.4301 (AISI 304)	10	4 pc(s).	2433.000



Wall mounting bracket

for AX plastic

For attachment to the wall, only possible from the outside of the enclosure.

Material:

- Fibreglass-reinforced polyamide¹⁾

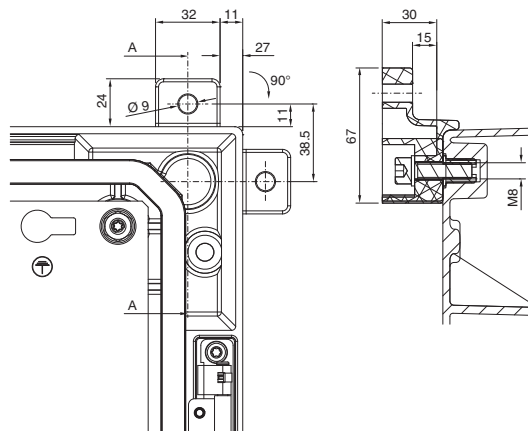
Supply includes:

- Assembly parts for mounting on the enclosure

Colour	Packs of	Model No.
RAL 7035	4 pc(s).	1485.400
RAL 9011	4 pc(s).	1485.500¹⁾

¹⁾ With graphite additive for Ex applications

Section A – A



Screw for interior installation

for AX plastic

For mounting accessories on the mounting bosses in the enclosure body.

Drive: Multi-tooth 25

Dimensions: 5 x 14 mm

Type of screw	Packs of	Model No.
Pan head screw, self-tapping	50 pc(s).	1485.300

