

Rittal – The System.

Faster – better – everywhere.



Support arm systems

Support arm system CP 40

| | |
|---|-----|
| Component overview, steel..... | 185 |
| Support section CP 40, steel..... | 186 |
| Components CP 40, steel..... | 187 |
| Component overview, stainless steel..... | 188 |
| Support section CP 40, stainless steel..... | 188 |
| Components CP 40, stainless steel..... | 189 |

Support arm system CP 60

| | |
|----------------------------|-----|
| Component overview..... | 193 |
| Support section CP 60..... | 194 |
| Components CP 60..... | 195 |

Support arm system CP 120

| | |
|-----------------------------|-----|
| Component overview..... | 197 |
| Support section CP 120..... | 198 |
| Components CP 120..... | 199 |

Support arm system CP 180

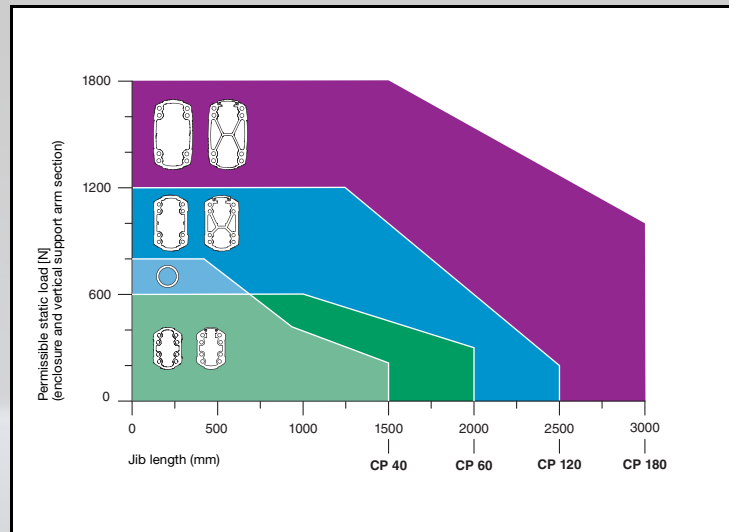
| | |
|-----------------------------|-----|
| Component overview..... | 201 |
| Support section CP 180..... | 202 |
| Components CP 180..... | 203 |

Support arm system CP

| | |
|---|-----|
| Support section, height-adjustable..... | 206 |
|---|-----|

Load information

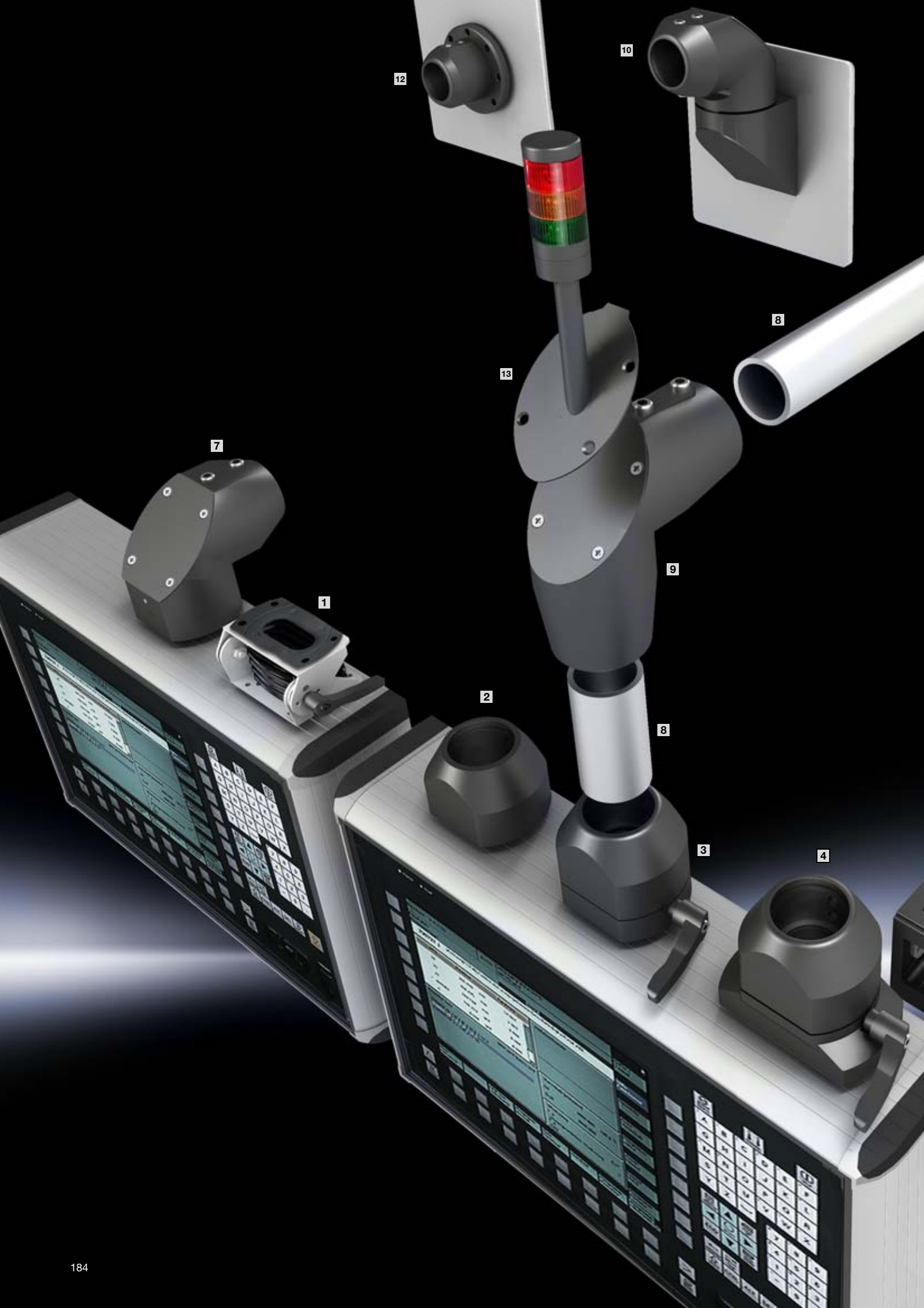
Comparison of support arm systems



Support arm configurator

The support arm configurator determines the correct support arm system according to user-specific parameters.

More detailed information can be found at: www.rittal.com



12

10

8

13

7

1

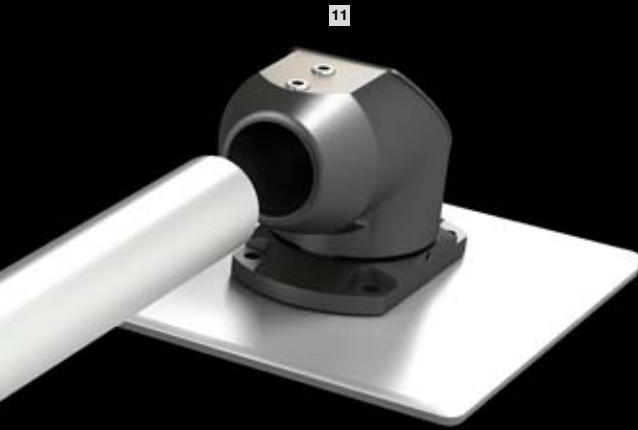
9

2

3

4

Support arm system CP 40, steel

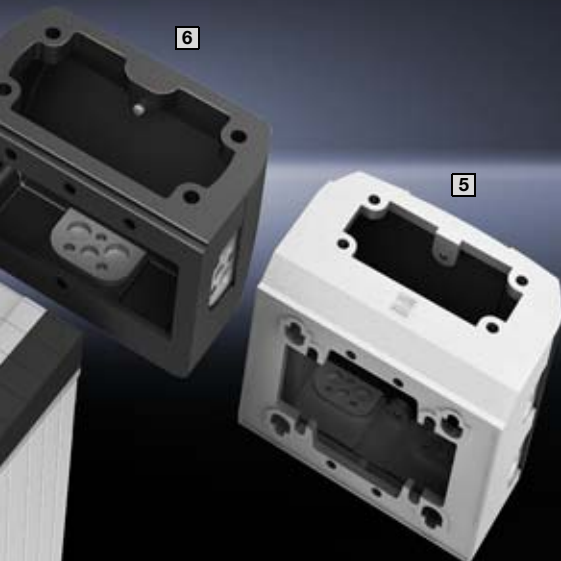
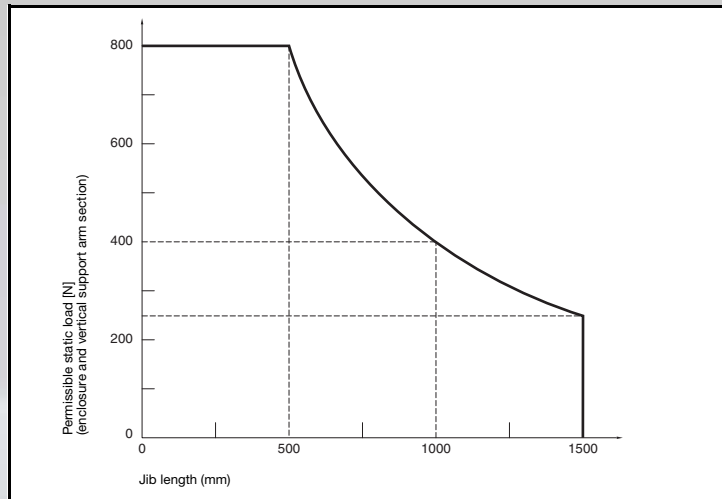


Component overview

- 1 Tilting adaptor +100/-60° for support arm connection □ 120 x 65 mm/
□ 90 x 71 mm (6206.460)
- 2 Attachment CP 40, steel, for support arm connection □ 90 x 71 mm
(6501.070)
- 3 Coupling CP 40, steel, for support arm connection □ 90 x 71 mm
(6501.050)
- 4 Coupling CP 40, steel, for support arm connection □ 120 x 65 mm
(6501.130)
- 5 Connection console VESA 75/100 for support arm connection
□ 120 x 65 mm (6206.480)
- 6 Connection console for support arm connection □ 120 x 65 mm
(6206.490)
- 7 Angle coupling 90° CP 40, steel (6501.120)
- 8 Support section CP 40, steel (6501.000, 6501.020)
- 9 Angle piece 90° CP 40, steel (6501.140)
- 10 Wall-mounted hinge CP 40, steel (6501.150)
- 11 Top-mounted joint CP 40, steel (6501.160)
- 12 Wall/base mounting bracket CP 40, steel (6501.110)
- 13 Mounting components CP 40, steel, for signal pillar (2375.030)

Load information

When using support arm system CP 40, steel in conjunction with support arm system CP 60 (in the horizontal run of the system), the load diagram for support arm system CP 60 applies.



Support arm system CP 40, steel



Comfort Panel Page 172 Optipanel Page 174 Compact Panel Page 181 Operating housings AX with handle strips Page 178

Support section CP 40, steel

Attached to the connection components via 2 clamping screws

Size:

- Outer diameter: 48.3 mm
- Wall thickness: 4.0 mm

Material:

- Steel conduit, powder-coated

Colour:

- RAL 7035

Protection category IP to IEC 60 529:

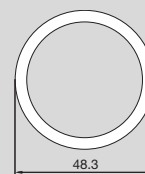
- IP 54

Supply includes:

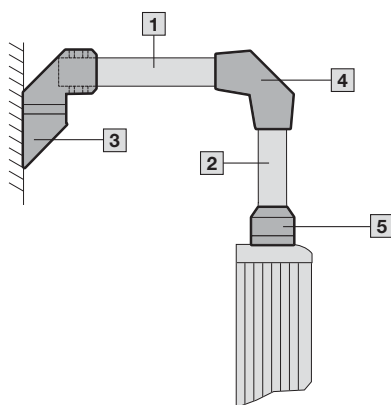
- Support section, steel

Note:

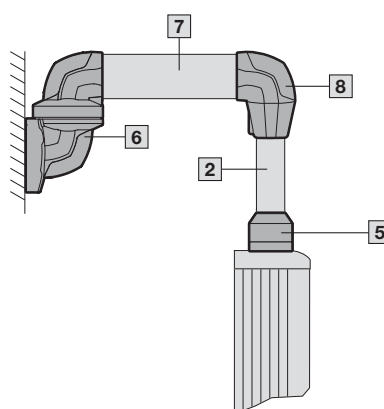
- Stainless steel, see page 188



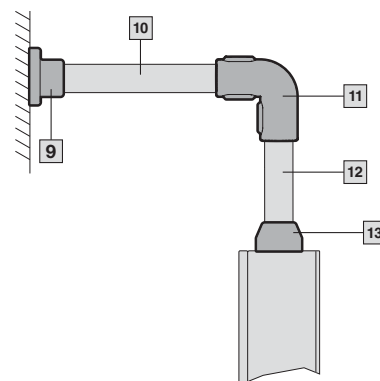
Integral adjustment facility



Combination with support arm system CP 60





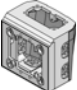


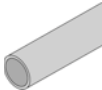



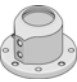



Also available in stainless steel version, see page 188



- 1 Support section CP 40, steel, 1000 mm (6501.020)
- 2 Support section CP 40, steel, 500 mm (6501.000)
- 3 Wall-mounted hinge CP 40, steel (6501.150)
- 4 Angle piece 90° CP 40, steel (6501.140)
- 5 Coupling CP 40, steel (6501.050)
- 6 Wall-mounted hinge CP 60 (6206.740)
- 7 Support section CP 60, 1000 mm (6206.100)
- 8 Angle adaptor 90° for support arm combination CP 60/40 (6206.640)
- 9 Wall/base mounting bracket, rigid, CP 40, stainless steel (6663.000)
- 10 Support section CP 40, stainless steel, 1000 mm (6660.010)
- 11 Angle piece 90° CP 40, stainless steel (6664.300)
- 12 Support section CP 40, stainless steel, 500 mm (6660.050)
- 13 Housing coupling CP 40, stainless steel (6664.000)

Support arm system CP 40, steel

| | Rotating/tilting | Fixed | Length mm | Weight kg | Colour RAL | Enclosure section | Desk section | Wall section |
|---|------------------|-------|-------------|------------|---------------|-------------------|------------------------------------|-----------------|
| | | | | | | Model No. | | |
| Tilting adaptor +100/-60° for support arm connection □ 120 x 65 mm/□ 90 x 71 mm | | | | | | | | |
|  see page 209 | ■ | - | - | 0.8 | 7035/ 7024 | 6206.460 | - | - |
| Attachment CP 40, steel, for support arm connection □ 90 x 71 mm | | | | | | | | |
|  | - | ■ | - | 1.0 | 7024 | 6501.070 | - | - |
| Coupling CP 40, steel, for support arm connection □ 90 x 71 mm | | | | | | | | |
|  | ■ | - | - | 1.1 | 7024 | 6501.050 | - | - |
| Coupling CP 40, steel, for support arm connection □ 120 x 65 mm | | | | | | | | |
|  | ■ | - | - | 1.5 | 7024 | 6501.130 | - | - |
| Connection console VESA 75/100 for support arm connection □ 120 x 65 mm | | | | | | | | |
|  see page 207 | - | ■ | - | 1.1 | 7035/ 7024 | 6206.480 | - | - |
| Connection console for support arm connection □ 120 x 65 mm | | | | | | | | |
|  see page 207 | - | ■ | - | 0.7 | 7035/ 7024 | 6206.490 | - | - |
| Angle coupling 90° CP 40, steel, for support arm connection □ 90 x 71 mm | | | | | | | | |
|  | ■ | - | - | 1.6 | 7024 | 6501.120 | - | - |
| Support section CP 40, steel | | | | | | | | |
|  | - | - | 500 1000 | 2.1 4.2 | 7035 7035 | | 6501.000 6501.020 | |
| Angle piece 90° CP 40, steel | | | | | | | | |
|  | - | ■ | - | 1.1 | 7024 | 6501.140 | - | 6501.140 |
| Top-mounted joint CP 40, steel | | | | | | | | |
|  | ■ | - | - | 1.8 | 7024 | - | - | 6501.160 |
| Wall-mounted hinge CP 40, steel | | | | | | | | |
|  | ■ | - | - | 2.2 | 7024 | - | - | 6501.150 |
| Wall/base mounting bracket CP 40, steel | | | | | | | | |
|  | - | ■ | - | 0.7 | 7024 | - | - | 6501.110 |
| Mounting component CP 40, steel, for signal pillar | | | | | | | | |
|  see page 1125 | - | ■ | - | 0.3 | 7024 | 2375.030 | - | - |
| Accessories | | | | | | | | |
| Angle adaptor 90° for support arm combination CP 60/40 6206.640 | | | | | | | | see page 195 |

Support arm system CP 40, stainless steel



Command panel housing with door, stainless steel P. 254 Premium Panel, stainless steel P. 253 Support section CP 40, steel P. 186

Support section CP 40, stainless steel

Attached to the connection components via 2 clamping screws

Size:

- Outer diameter: 48.3 mm
- Wall thickness: 3.6 mm

Material:

- Stainless steel

Surface finish:

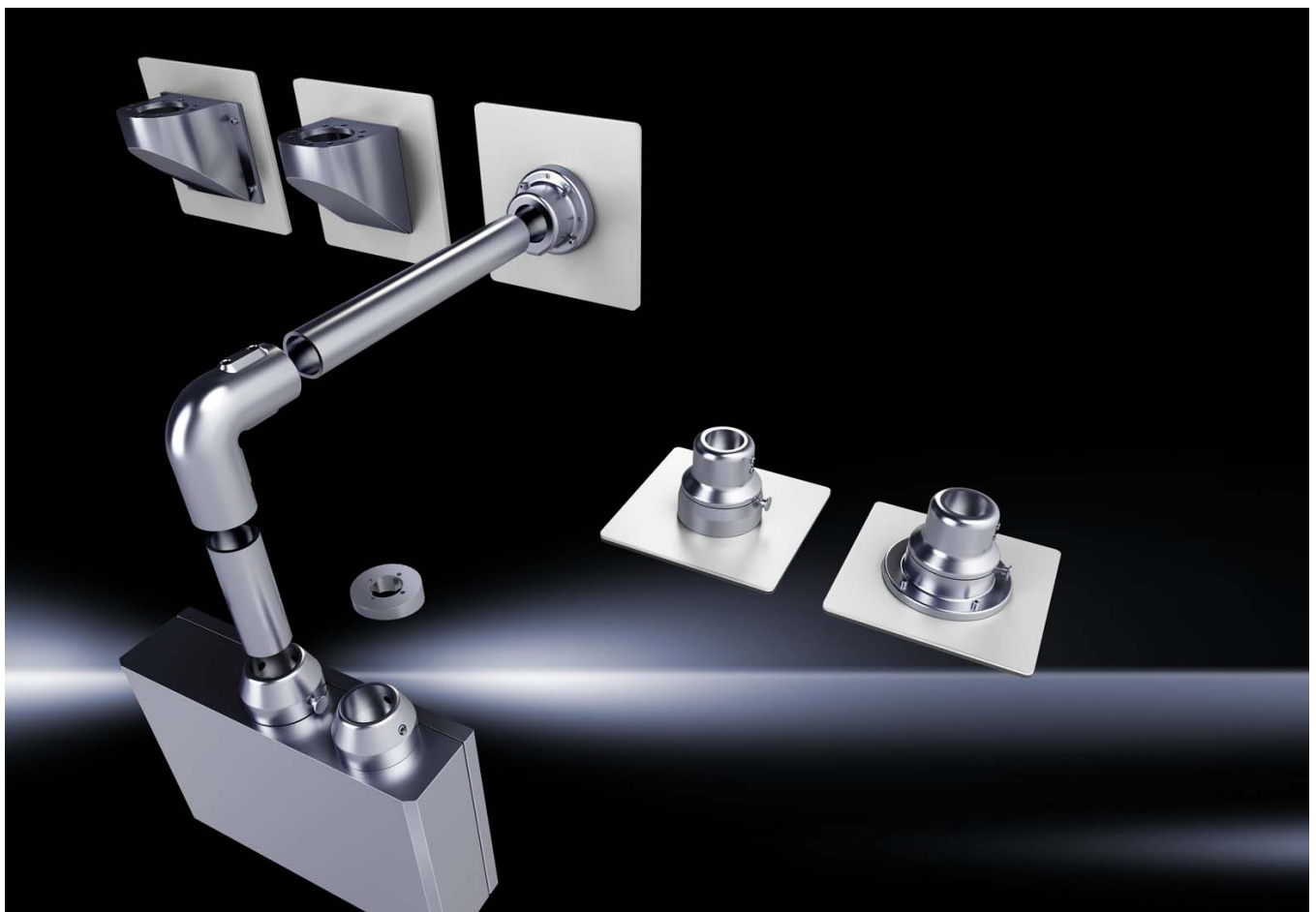
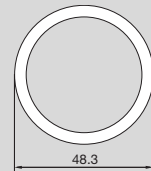
- Brushed, grain size 400 (support section and wall console only)

Protection category IP to IEC 60 529:

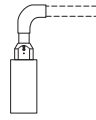
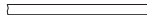
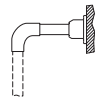



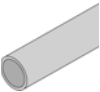
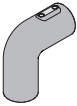


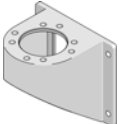
- IP 66
- IP X9

Supply includes:

- Support section, stainless steel

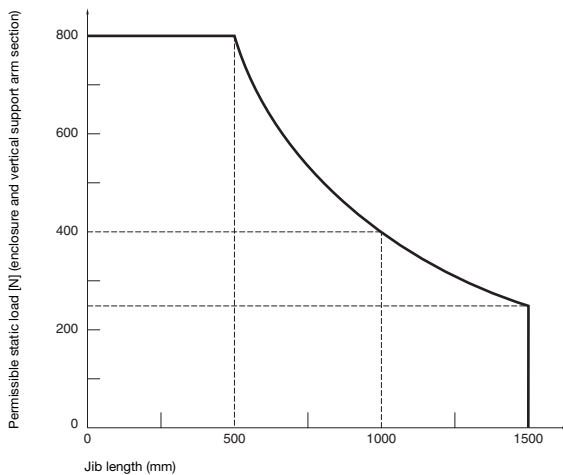


Support arm system CP 40, stainless steel

| | Rotating/tilting | Rigid | Length mm | Weight kg | Material | Enclosure section | Desk section | Wall section |
|---|------------------|-------|-------------|------------|-------------------|--|---|---|
| | | | | | |  |  |  |
| Model No. | | | | | | | | |
| Tilting adaptor 10° CP 40, stainless steel | | | | | | | | |
|  | - | ■ | - | 0.7 | 1.4305 (AISI 303) | 6664.100 | - | - |
| Attachment CP 40, stainless steel | | | | | | | | |
|  | - | ■ | - | 1.3 | 1.4305 (AISI 303) | 6664.500 | - | - |
| Coupling CP 40, stainless steel | | | | | | | | |
|  | ■ | - | - | 1.1 | 1.4305 (AISI 303) | 6664.000 | - | - |
| Support section CP 40, stainless steel | | | | | | | | |
|  | - | ■ | 500 1000 | 2.0 3.9 | 1.4301 (AISI 304) | 6660.050 6660.010 | | |
| Angle piece 90° CP 40, stainless steel | | | | | | | | |
|  | - | ■ | - | 1.3 | 1.4301 (AISI 304) | 6664.300 | - | 6664.300 |
| Wall/base mounting bracket, rigid, CP 40, stainless steel | | | | | | | | |
|  | - | ■ | - | 1.7 | 1.430 (AISI 303) | - | - | 6663.000 |
| Wall/base mounting bracket, rotating, CP 40, stainless steel | | | | | | | | |
|  | ■ | - | - | 3.9 4.5 | 1.430 (AISI 303) | - | - | 6663.500 6663.400 |
| Rear, thread M8 Front, hole Ø 9 mm | | | | | | | | |
| Wall console CP 40, stainless steel | | | | | | | | |
|  | - | ■ | - | 1.5 1.8 | 1.4301 (AISI 304) | - | - | 6665.000 6665.500 |
| Rear, thread M8 Front, hole Ø 9 mm | | | | | | | | |

Load information

Permissible load depending on system configuration



Support arm system CP 60/120/180



Uniform engineering

- All load levels up to 1800 N
- One system
- Simple system replacement in the vertical axis to cut costs and weight
- Consistent combination options

Multi-functional assembly

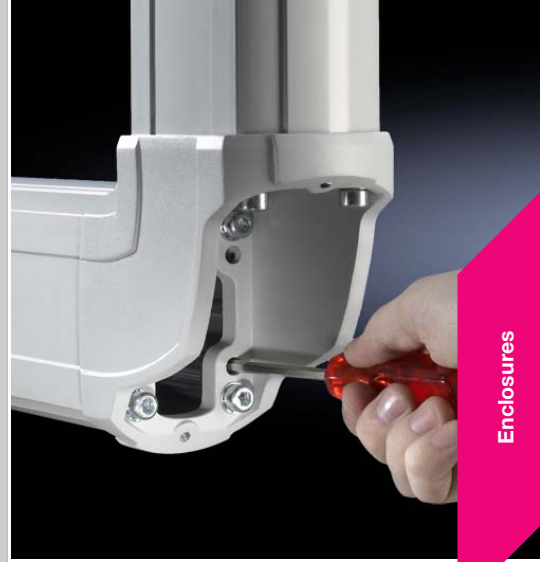
- Uniform adjustment principle, even retrospectively without dismantling
- Perfect limitation of rotation ranges
- Simple, one-person installation
- Sections are easily cut to the required length

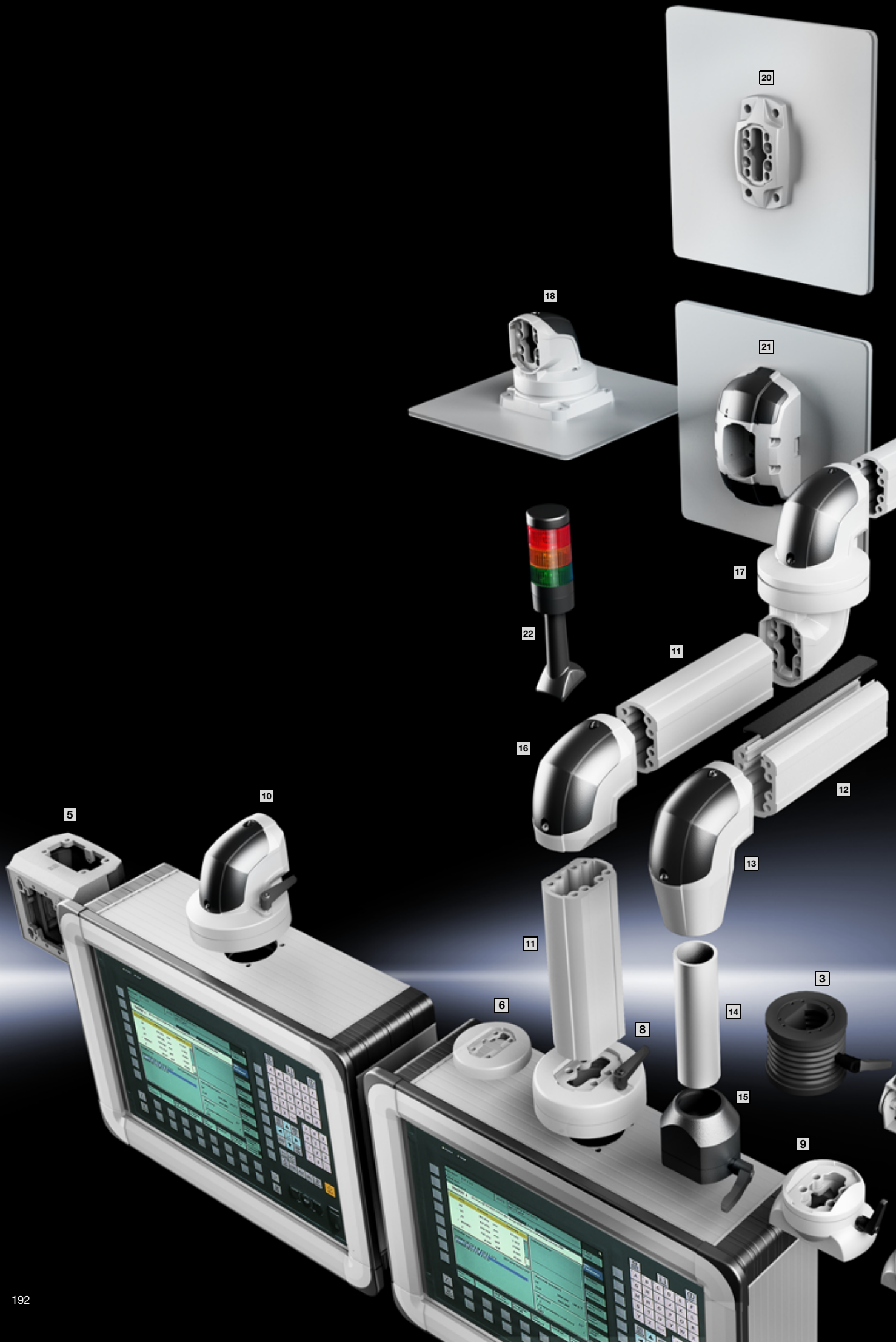
Efficient cable management

- Cross-section sufficient for large connectors
- Supports simple separation between data and power cables
- Flexible cable entry and routing options
- Automatic, consistent potential equalisation of all support arm components
- Open support section for easy upgrade and servicing access

Consistent protection category

- Consistent protection category of all components, even with adaptations

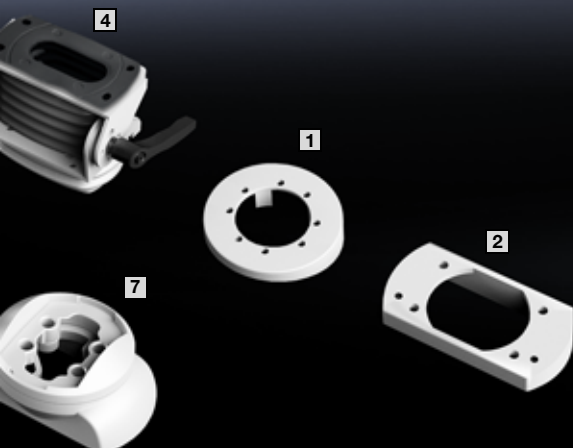




Support arm system CP 60

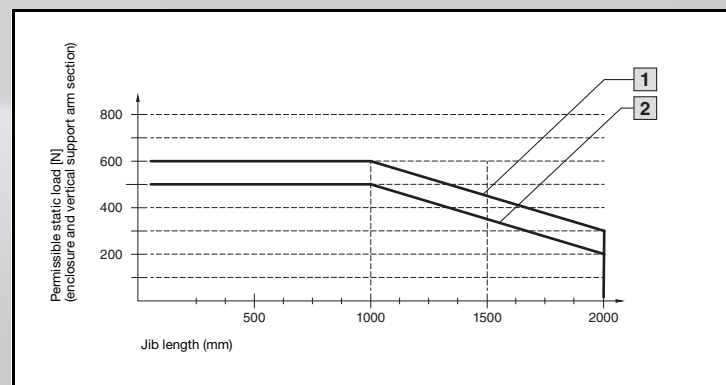
Component overview

- 1 Tilting adaptor 10° for support arm connection Ø 130 mm (6206.400)
- 2 Tilting adaptor 10° for support arm connection □ 120 x 65 mm (6206.440)
- 3 Tilting adaptor +/-45° for support arm connection Ø 130 mm (6206.420)
- 4 Tilting adaptor +100°/-60° for support arm connection □ 120 x 65 mm (6206.460)
- 5 Connection console VESA 75/100 for support arm connection □ 120 x 65 mm (6206.480)
- 6 Coupling CP 60 for support arm connection Ø 130 mm (6206.320)
- 7 Attachment CP 60 for support arm connection □ 120 x 65 mm (6206.360)
- 8 Coupling CP 60 for support arm connection Ø 130 mm (6206.300)
- 9 Coupling CP 60 for support arm connection □ 120 x 65 mm (6206.340)
- 10 Angle coupling 90° CP 60 for support arm connection Ø 130 mm (6206.380)
- 11 Support section CP 60, closed (6206.025, 6206.050, 6206.100, 6206.200)
- 12 Support section CP 60, open (6206.110)
- 13 Angle adaptor 90° for support arm combination CP 60/40 (6206.640)
- 14 Support section CP 40, steel (6501.000)
- 15 Coupling CP 40, steel, for support arm connection □ 90 x 71 mm (6501.050)
- 16 Angle piece 90° CP 60 (6206.600)
- 17 Intermediate hinge CP 60 (6206.620)
- 18 Top-mounted joint CP 60, horizontal outlet (6206.700)
- 19 Wall-mounted hinge CP 60, horizontal outlet (6206.740)
- 20 Wall/base mounting bracket CP 60, small (6206.820)
- 21 Wall/base mounting bracket CP 60, large (6206.800)
- 22 Mounting component CP 60 for signal pillar (6206.900)



Load information

Permissible load depending on system configuration



- 1 System configuration without intermediate hinge 6206.620
- 2 System configuration with intermediate hinge 6206.620

Note:

- Wall/base mounting bracket, small 6206.820 must not be used in conjunction with intermediate hinge 6206.620!
- Intermediate hinge 6206.620 should only be used once per system!

Support arm system CP 60



Comfort Panel Page 172 Optipanel Page 174 Compact Panel Page 181 Operating housings AX with handle strips Page 178

Support section CP 60

Attachment to the connection components with 4 self-tapping screws in the screw channel. May be cut to any required length, no thread-tapping required. Closed cable duct with a large cross-section. Open cable duct for easy servicing access and for pre-assembled cables with connectors; lockable via cover section.

Size:

- External dimensions: 59 x 85 mm

Material:

- Support section: Extruded aluminium section

Colour:

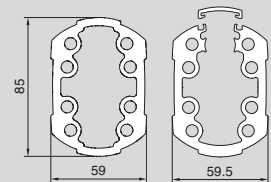
- Support section: RAL 7035

Protection category IP to IEC 60 529:

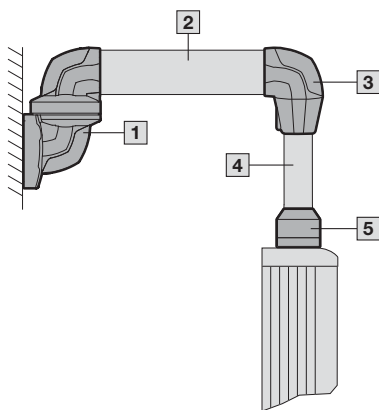
- IP 54

Supply includes:

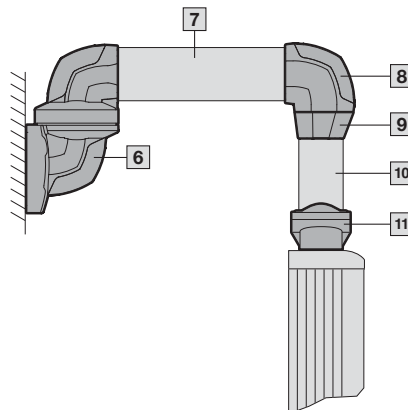
- Support section



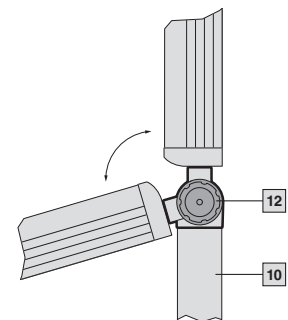
Combination with support arm system CP 40



Combination with support arm system CP 120


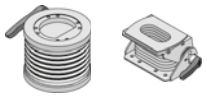

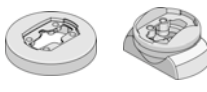
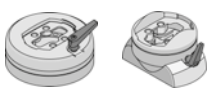




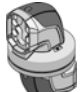
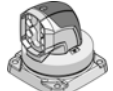





Roof plate with tilt coupler, see page 210



- 1 Wall-mounted hinge CP 60, horizontal outlet (6206.740)
- 2 Support section CP 60, 1000 mm (6206.100)
- 3 Angle adaptor 90° for support arm combination CP 60/40 (6206.640)
- 4 Support section CP 40, steel, 500 mm (6501.000)
- 5 Coupling CP 40, steel, for support arm connection □ 120 x 65 mm (6501.130)
- 6 Wall-mounted hinge CP 120, horizontal outlet (6212.740)
- 7 Support section CP 120, 1000 mm (6212.100)
- 8 Angle piece 90° CP 120 (6212.600)
- 9 Adaptor for support arm combination CP 120/60 (6212.640)
- 10 Support section CP 60, 500 mm (6206.050)
- 11 Coupling CP 60 for support arm connection □ 120 x 65 mm (6206.340)
- 12 Tilt coupler for support arm system CP 60/6206.350

Support arm system CP 60

| | | Rotating/tilting | Rigid | Length mm | Weight kg | Colour RAL | Enclosure section CP 60 | Enclosure section CP 60/40 | Centre section CP 60 | Wall section CP 60 |
|--|-------------------|------------------|-------|-----------|-----------|------------|-------------------------|----------------------------|----------------------|--------------------|
| | | Model No. | | | | | | | | |
| Tilting adaptor 10° for support arm connection | | | | | | | | | | |
|  | Ø 130 mm | - | ■ | - | 0.6 | 7035 | 6206.400 | - | - | - |
| | □ 120 x 65 mm | - | ■ | - | 0.4 | | 6206.440 | - | - | - |
| Tilting adaptor +/-45°, tilting adaptor +100°/-60° for support arm connection | | see page 209 | | | | | | | | |
|  | Ø 130 mm | ■ | - | - | 1.2 | 7024 | 6206.420 | - | - | - |
| | □ 120 x 65 mm | ■ | - | - | 0.8 | 7035/7024 | 6206.460 | 6206.460 | - | - |
| | □ 90 x 71 mm | ■ | - | - | 0.8 | | - | 6206.460 | - | - |
| Connection console VESA 75/100 for support arm connection | | see page 207 | | | | | | | | |
|  | □ 120 x 65 mm | - | ■ | - | 1.1 | 7035/7024 | 6206.480 | - | - | - |
| Attachment CP 60/40 for support arm connection | | | | | | | | | | |
|  | Ø 130 mm | - | ■ | - | 0.7 | 7035 | 6206.320 | - | - | - |
| | □ 120 x 65 mm | - | ■ | - | 1.0 | 7035 | 6206.360 | - | - | - |
| | □ 90 x 71 mm | - | ■ | - | 1.0 | 7024 | - | 6501.070 | - | - |
| Coupling CP 60/40 for support arm connection | | | | | | | | | | |
|  | Ø 130 mm | ■ | - | - | 2.1 | 7035 | 6206.300 | - | - | - |
| | □ 120 x 65 mm | ■ | - | - | 1.2 | 7035 | 6206.340 | 6501.130 | - | - |
| | □ 90 x 71 mm | ■ | - | - | 1.1 | 7024 | - | 6501.050 | - | - |
| Angle coupling 90° CP 60/40 for support arm connection | | | | | | | | | | |
|  | Ø 130 mm | ■ | - | - | 1.8 | 7035/7024 | 6206.380 | - | - | - |
| Support section CP 60/40 | | | | | | | CP 60 | CP 40 ¹⁾ | CP 60 | CP 60 |
|  | Closed | - | - | 250 | 1.25 | 7035 | 6206.025 | - | 6206.025 | 6206.025 |
| | | - | - | 500 | 2.5 | | 6206.050 | 6501.000 | 6206.050 | 6206.050 |
| | | - | - | 1000 | 5.0 | | 6206.100 | 6501.020 | 6206.100 | 6206.100 |
| | | - | - | 2000 | 10.0 | | 6206.200 | - | 6206.200 | 6206.200 |
| | Open | - | - | 1000 | 5.6 | 7035/7024 | 6206.110 | - | - | - |
| Angle adaptor 90° for support arm combination CP 60/40 | | | | | | | | | | |
|  | | - | ■ | - | 1.0 | 7035/7024 | - | 6206.640 | - | - |
| Angle piece 90° CP 60 | | | | | | | | | | |
|  | | - | ■ | - | 0.5 | 7035/7024 | 6206.600 | - | - | 6206.600 |
| Intermediate hinge CP 60 | | | | | | | | | | |
|  | | ■ | - | - | 2.2 | 7035/7024 | - | - | 6206.620 | - |
| Top-mounted joint CP 60 | | | | | | | | | | |
|  | Horizontal outlet | ■ | - | - | 2.2 | 7035/7024 | - | - | - | 6206.700 |
| Wall-mounted hinge CP 60 | | | | | | | | | | |
|  | Horizontal outlet | ■ | - | - | 2.85 | 7035/7024 | - | - | - | 6206.740 |
| Wall/base mounting bracket CP 60, small | | | | | | | | | | |
|  | | - | ■ | - | 0.35 | 7035 | - | - | - | 6206.820 |
| Wall/base mounting bracket CP 60, large | | | | | | | | | | |
|  | | - | ■ | - | 1.4 | 7035/7024 | - | - | - | 6206.800 |
| Accessories | | | | | | | | | | |

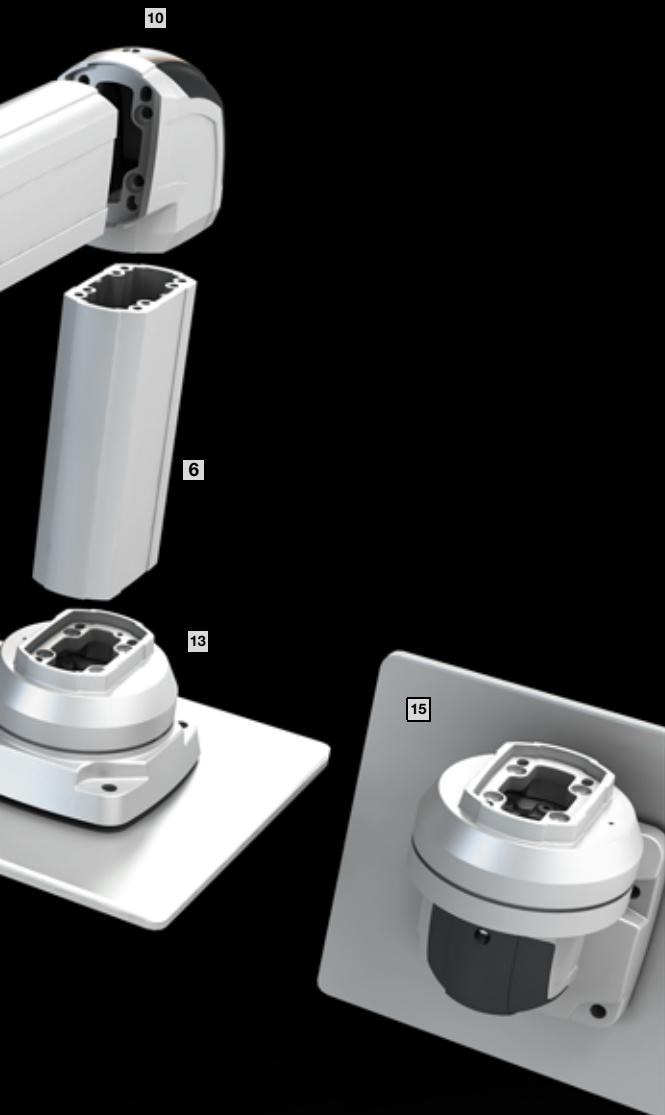
Mounting component for signal pillar, see page 1125/Adaptor CP 120/60 Ø 130 mm to □ 120 x 65 mm 6212.500, see page 199

¹⁾ Weight information and diagrams for CP 40, see page 187

Support arm system CP 120

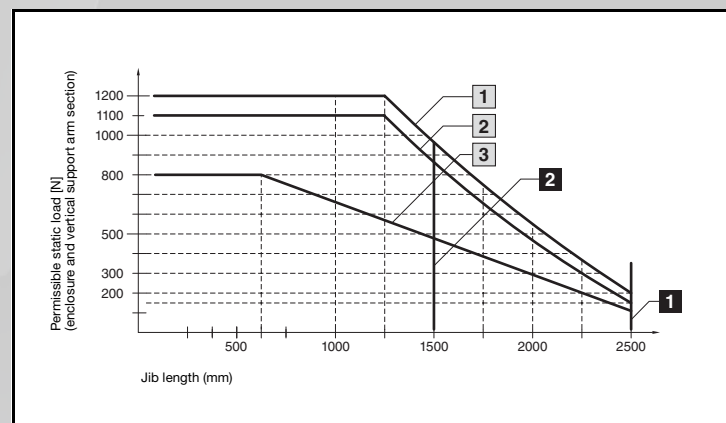
Component overview

- 1 Adaptor CP 120 from support arm connection \varnothing 130 mm to \square 120 x 65 mm (6212.500)
- 2 Attachment CP 120 for support arm connection \varnothing 130 mm (6212.320)
- 3 Coupling CP 120 for support arm connection \varnothing 130 mm (6212.300)
- 4 Coupling CP 60 for support arm connection \square 120 x 65 mm (6206.340)
- 5 Angle coupling 90° CP 120 for support arm connection \varnothing 130 mm (6212.380)
- 6 Support section CP 120, closed (6212.025, 6212.050, 6212.100, 6212.200)
- 7 Support section CP 120, open (6212.150, 6212.110, 6212.210)
- 8 Support section CP 60, closed (6206.025, 6206.050, 6206.100, 6206.200)
- 9 Adaptor for support arm combination CP 120/60 (6212.640)
- 10 Angle piece 90° CP 120 (6212.600)
- 11 Intermediate hinge CP 120, without height offset (6212.680)
- 12 Intermediate hinge CP 120, with height offset (6212.620)
- 13 Top-mounted joint CP 120, vertical outlet (6212.720)
- 14 Top-mounted joint CP 120, horizontal outlet (6212.700)
- 15 Wall-mounted hinge CP 120, vertical outlet (6212.760)
- 16 Wall-mounted hinge CP 120, horizontal outlet, without height offset (6212.780)
- 17 Wall-mounted hinge CP 120, horizontal outlet, with height offset (6212.740)
- 18 Wall/base mounting bracket CP 120, small (6212.820)
- 19 Wall/base mounting bracket CP 120, large (6212.800)
- 20 Mounting component CP 120/180 for signal pillar (6212.900)



Load information

Permissible load depending on system configuration



- 1 System configuration without intermediate hinge 6212.620/.680, with closed or open support section
 - 2 System configuration with intermediate hinge 6212.620/.680 and closed support section
 - 3 System configuration with intermediate hinge 6212.620/.680 and open support section
- 1 Maximum system length 2500 mm for systems with horizontal outlet at the system start
- 2 Maximum system length 1500 mm for systems with vertical outlet at the system start. The overall height at the vertical system start must not exceed 500 mm.

Note:

- Wall/base mounting bracket, small 6212.820 must not be used in conjunction with intermediate hinge 6212.620/.680!
- Intermediate hinge 6212.620/.680 should only be used once per system!

Support arm system CP 120



Comfort Panel P. 172 Optipanel P. 174 Operating housings AX with handle strips P. 178 Operating housing AX for desktop TFT P. 180

Support section CP 120

Attachment to the connection components with 4 self-tapping screws in the screw channel. May be cut to any required length, no thread-tapping required. Closed cable duct with a large cross-section. Open cable duct for easy servicing access and for pre-assembled cables with connectors; lockable via cover section.

X-shaped profiling for greater load capacity, large cable routing channels. Upper channel adequate for cables with large connectors (e.g. DVI or VGA) and available/usable throughout the entire system.

Size:

- External dimensions:
75 x 120 mm

Material:

- Support section:
Extruded aluminium section

Colour:

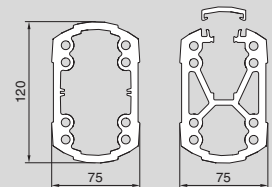
- Support section: RAL 7035

Protection category IP to IEC 60 529:

- IP 54

Supply includes:

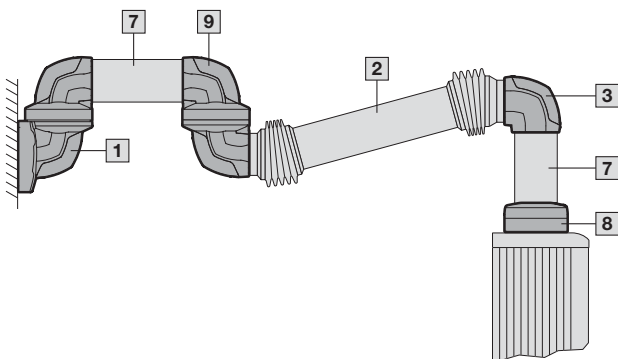
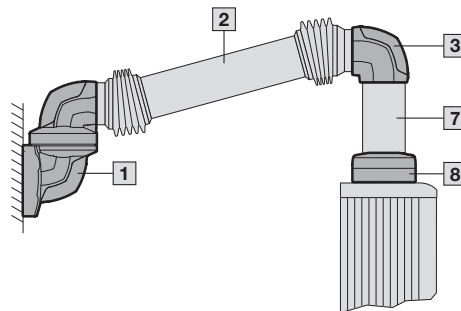
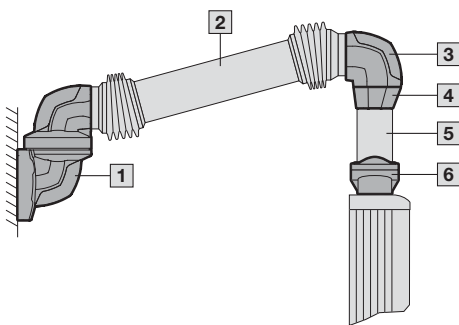
- Support section



Combination with support section, height adjustable

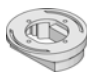
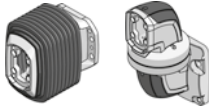

Note:

When using an intermediate hinge, the height-adjustable support section should always be inserted in the closest horizontal position to the enclosure.

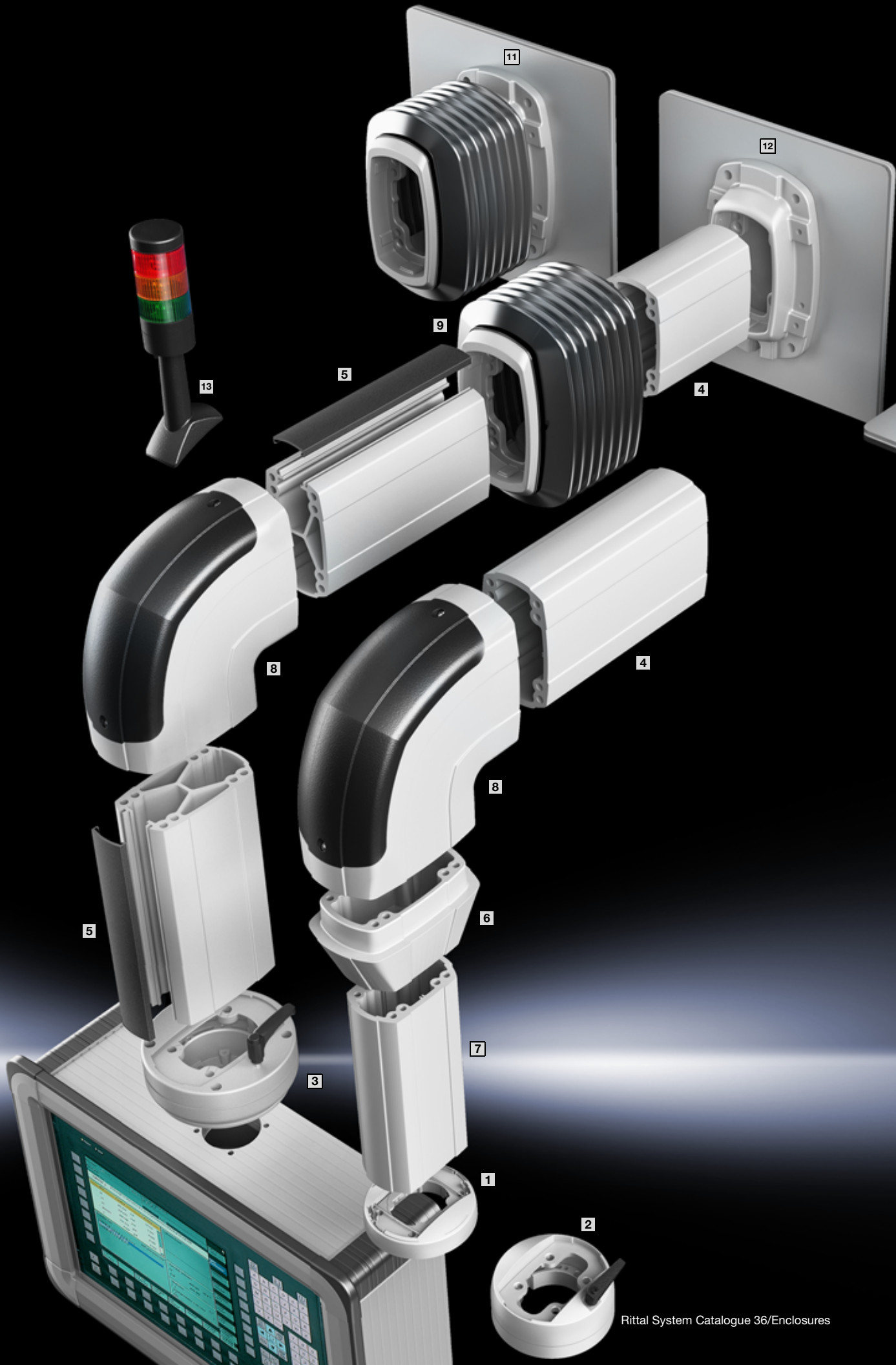


- 1 Wall-mounted hinge CP 120, horizontal outlet (6212.740)
- 2 Support section, height-adjustable (6212.120), see page 206
- 3 Angle piece 90° CP 120 (6212.600)
- 4 Adaptor for support arm combination CP 120/60 (6212.640)
- 5 Support section CP 60, L = 500 mm (6206.050)
- 6 Coupling CP 60 for support arm connection
□ 120 x 65 mm (6206.340)
- 7 Support section CP 120, closed, L = 500 mm (6212.050)
- 8 Coupling CP 120 for support arm connection Ø 130 mm (6212.300)
- 9 Intermediate hinge CP 120 (6212.620)

Support arm system CP 120

| | Rotating/tilting | Rigid | Length mm | Weight kg | Colour RAL | Enclosure section CP 120 | Enclosure section CP 120/60 | Centre section CP 120 | Wall section CP 120 | |
|---|-----------------------|-------|-----------|-----------|---------------|--------------------------|-----------------------------|-----------------------|---------------------|-----------------|
| | | | | | | Model No. | | | | |
| Adaptor CP 120/60 from support arm connection Ø 130 mm to □ 120 x 65 mm | | | | | | | | | | |
|  | - | ■ | - | 0.5 | 7035 | 6212.500 | 6212.500 | - | - | |
| Attachment CP 120/60 for support arm connection | | | | | | | | | | |
|  | - | ■ | - | 0.7 | 7035 | 6212.320 | 6206.320 | - | - | |
|  | - | ■ | - | 0.7 | 7035 | - | 6206.360 | - | - | |
| Coupling CP 120/60 for support arm connection | | | | | | | | | | |
|  | ■ | - | - | 2.0 | 7035 | 6212.300 | 6206.300 | - | - | |
|  | - | - | - | - | - | - | 6206.340 | - | - | |
| Angle coupling 90° CP 120 for support arm connection | | | | | | | | | | |
|  | ■ | - | - | 2.1 | 7035/ 7024 | 6212.380 | - | - | - | |
| Support section CP 120/60 | | | | | | CP 120 | CP 60 ¹⁾ | CP 120 | CP 120 | |
|  | Closed | - | - | 250 | 2.0 | 7035 | 6212.025 | 6206.025 | 6212.025 | 6212.025 |
| | | - | - | 500 | 3.9 | | 6212.050 | 6206.050 | 6212.050 | 6212.050 |
| | | - | - | 1000 | 7.8 | | 6212.100 | 6206.100 | 6212.100 | 6212.100 |
| | | - | - | 2000 | 15.6 | | 6212.200 | 6206.200 | 6212.200 | 6212.200 |
|  | Open | - | - | 500 | 4.6 | 7035/ 7024 | 6212.150 | - | 6212.150 | 6212.150 |
| | | - | - | 1000 | 9.2 | | 6212.110 | - | 6212.110 | 6212.110 |
| | | - | - | 2000 | 18.4 | | 6212.210 | - | 6212.210 | 6212.210 |
| Adaptor for support arm combination CP 120/60 | | | | | | | | | | |
|  | - | ■ | - | 0.7 | 7035 | - | 6212.640 | - | - | |
| Angle piece 90° CP 120 | | | | | | | | | | |
|  | - | ■ | - | 1.1 | 7035/ 7024 | 6212.600 | - | - | 6212.600 | |
| Intermediate hinge CP 120 | | | | | | | | | | |
|  | Without height offset | ■ | - | - | 4.0 | 7035/ 7024 | - | - | 6212.680 | - |
| | With height offset | ■ | - | - | 4.4 | 7035/ 7024 | - | - | 6212.620 | - |
| Top-mounted joint CP 120 | | | | | | | | | | |
|  | Vertical outlet | ■ | - | - | 3.8 | 7035 | - | - | - | 6212.720 |
| | Horizontal outlet | ■ | - | - | 4.3 | 7035/ 7024 | - | - | - | 6212.700 |
| Wall-mounted hinge CP 120, vertical outlet | | | | | | | | | | |
|  | ■ | - | - | 5.5 | 7035/ 7024 | - | - | - | 6212.760 | |
| Wall-mounted hinge CP 120, horizontal outlet | | | | | | | | | | |
|  | Without height offset | ■ | - | - | 8.3 | 7035/ 7024 | - | - | - | 6212.780 |
| | With height offset | ■ | - | - | 6.1 | 7035/ 7024 | - | - | - | 6212.740 |
| Wall/base mounting bracket CP 120, small | | | | | | | | | | |
|  | - | ■ | - | 0.5 | 7035 | - | - | - | 6212.820 | |
| Wall/base mounting bracket CP 120, large | | | | | | | | | | |
|  | - | ■ | - | 2.5 | 7035/ 7024 | - | - | - | 6212.800 | |
| Accessories | | | | | | | | | | |
| Mounting component for signal pillar, see page 1125/ Tilting adaptor for support arm connection Ø 130 mm and □ 120 x 65 mm, see page 209 | | | | | | | | | | |

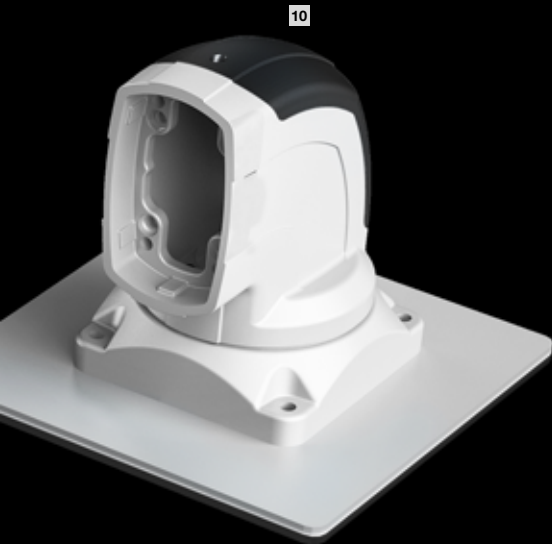
¹⁾ Weight information and diagrams for CP 60, see page 195



Support arm system CP 180

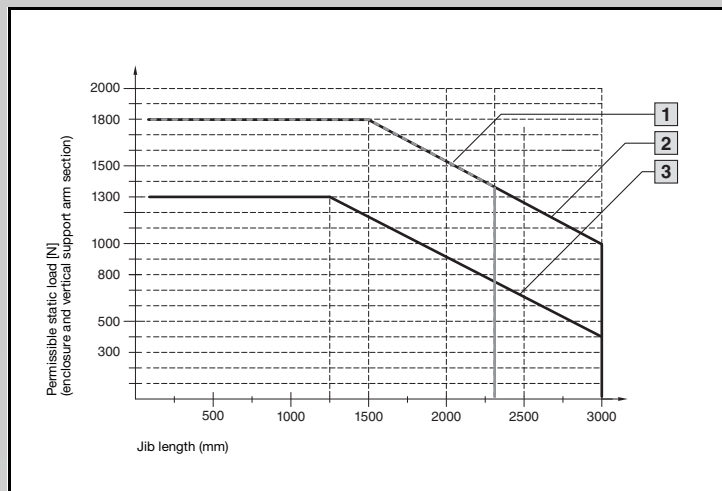
Component overview

- 1 Attachment CP 120 for support arm connection \varnothing 130 mm (6212.320)
- 2 Coupling CP 120 for support arm connection \varnothing 130 mm (6212.300)
- 3 Coupling CP 180 for support arm connection \varnothing 130 mm (6218.300)
- 4 Support section CPS 180, closed (6218.050, 6218.100, 6218.200)
- 5 Support section CP 180, open (6218.150, 6218.110, 6218.210)
- 6 Adaptor for support arm combination, CP 180/120 (6218.640)
- 7 Support section CP 120, closed (6212.025, 6212.050, 6212.100, 6212.200)
- 8 Angle piece 90° CP 180 (6218.600)
- 9 Intermediate hinge CP 180 (6218.620)
- 10 Top-mounted joint CP 180, horizontal outlet (6218.700)
- 11 Wall-mounted hinge CP 180, horizontal outlet (6218.740)
- 12 Wall/base mounting bracket CP 180, small (6218.820)
- 13 Mounting component CP 120/180 for signal pillar (6212.900)



Load information

Permissible load depending on system configuration

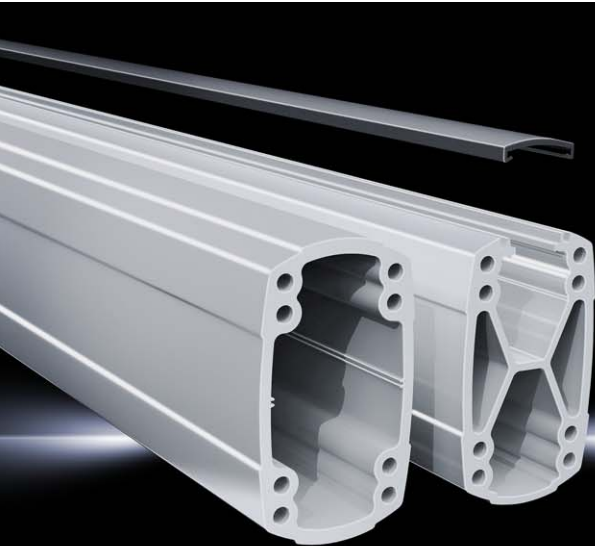


- 1 System configuration without intermediate hinge 6218.620, with closed or open support section
- 2 System configuration with intermediate hinge 6218.620 and closed support section
- 3 System configuration with intermediate hinge 6218.620 and open support section

Note:

- Intermediate hinge 6218.620 should only be used once per system!
- Where possible, Rittal recommends that the support section between components 6218.700, 6218.740, 6218.820 and intermediate hinge 6218.620 should be of a closed design

Support arm system CP 180



Comfort Panel P. 172 Optipanel P. 174 Operating housings AX with handle strips P. 178 Operating housing AX for desktop TFT P. 180

Support section CP 180

Attachment to the connection components with 4 self-tapping screws in the screw channel. May be cut to any required length, no thread-tapping required. Closed cable duct with a large cross-section. Open cable duct for easy servicing access and for pre-assembled cables with connectors; lockable via cover section.

X-shaped profiling for greater load capacity, large cable routing channels. Upper channel adequate for cables with large connectors (e.g. DVI or VGA) and available/usable throughout the entire system.

Size:

- External dimensions: 90 x 160 mm

Material:

- Support section: Extruded aluminium section

Colour:

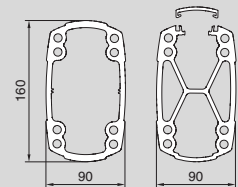
- Support section: RAL 7035

Protection category IP to IEC 60 529:

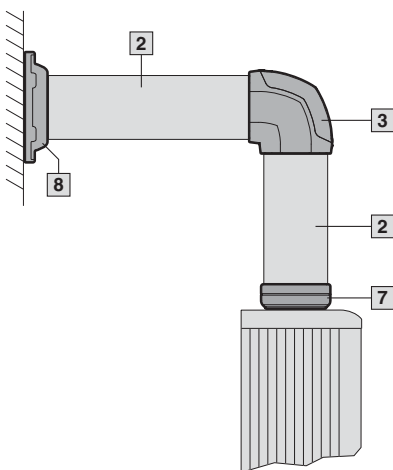
- IP 54

Supply includes:

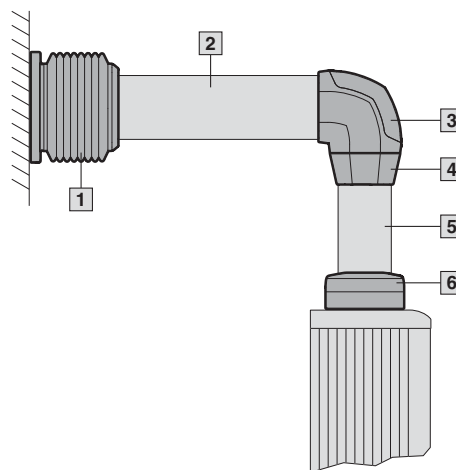
- Support section



Support arm system CP 180

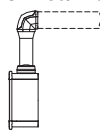

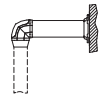
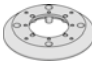


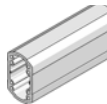
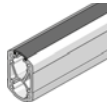

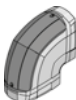







Combination with support arm system CP 120



- 1 Wall-mounted hinge CP 180, horizontal outlet (6218.740)
- 2 Support section CP 180, closed, 1000 mm (6218.100)
- 3 Angle piece 90° CP 180 (6218.600)
- 4 Adaptor for support arm combination CP 180/120 (6218.640)
- 5 Support section CP 120, closed, L = 500 mm (6212.050)
- 6 Coupling CP 120 for support arm connection Ø 130 mm (6212.300)
- 7 Coupling CP 180 for support arm connection Ø 130 mm (6218.300)
- 8 Wall/base mounting bracket CP 180, small (6218.820)

Support arm system CP 180

| | Rotating/fitting | Rigid | Length mm | Weight kg | Colour RAL | Enclosure section CP 180/120 | Centre section CP 180 | Wall section CP 180 |
|---|---|-------|-----------|-----------|---------------|---|---|---|
| | | | | | |  |  |  |
| Model No. | | | | | | | | |
| Adaptor from support arm connection Ø 180 mm to Ø 130 mm | | | | | | | | |
|  | - | ■ | - | 0.6 | 7035 | 6212.520 | - | - |
| Attachment CP 120 for support arm connection Ø 130 mm | | | | | | | | |
|  | - | ■ | - | 0.7 | 7035 | 6212.320 | - | - |
| Coupling CP 180/120 for support arm connection Ø 130 mm | | | | | | | | |
|  | ■ | - | - | 5.3 | 7035 | 6218.300 | - | - |
| | ■ | - | - | 2.0 | | 6212.300 | - | - |
| Support section CP 180/120 | | | | | | CP 120 ¹⁾ | CP 180 | CP 180 |
|  | Closed | - | - | 250 | 7035 | 6212.025 | - | - |
| | | - | - | 500 | | 6212.050 | 6218.050 | 6218.050 |
| | | - | - | 1000 | | 6212.100 | 6218.100 | 6218.100 |
| | | - | - | 2000 | | 6212.200 | 6218.200 | 6218.200 |
|  | Open | - | - | 500 | 7035/ 7024 | 6212.150 | 6218.150 | 6218.150 |
| | | - | - | 1000 | | 6212.110 | 6218.110 | 6218.110 |
| | | - | - | 2000 | | 6212.210 | 6218.210 | 6218.210 |
| | | - | - | - | | - | - | - |
| Adaptor for support arm combination CP 180/120 | | | | | | | | |
|  | - | ■ | - | 1.5 | 7035 | 6218.640 | - | - |
| Angle piece 90° CP 180 | | | | | | | | |
|  | - | ■ | - | 3.6 | 7035/ 7024 | 6218.600 | - | 6218.600 |
| Intermediate hinge CP 180 | | | | | | | | |
|  | ■ | - | - | 10.3 | 7035/ 7024 | - | 6218.620 | - |
| Top-mounted joint CP 180 | | | | | | | | |
|  | Horizontal outlet | ■ | - | 18.0 | 7035/ 7024 | - | - | 6218.700 |
| Wall-mounted hinge CP 180 | | | | | | | | |
|  | Horizontal outlet | ■ | - | 13.0 | 7035/ 7024 | - | - | 6218.740 |
| Wall/base mounting bracket CP 180, small | | | | | | | | |
|  | - | ■ | - | 5.0 | 7035 | - | - | 6218.820 |
| Mounting component CP 120/180 for signal pillar | | | | | | | | |
|  | Only for 6218.600, 6218.700, see page 1125 | - | ■ | - | 0.1 | 7024 | 6212.900 | 6212.900 |
| Accessories | | | | | | | | |
| Tilting adaptor for support arm connection Ø 130 mm and □ 120 x 65 mm, see page 209 | | | | | | | | |

¹⁾ Weight information and diagrams for CP 120, see page 199